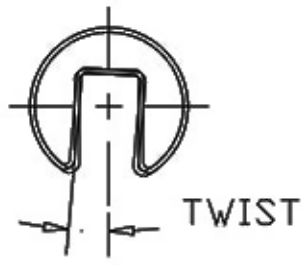
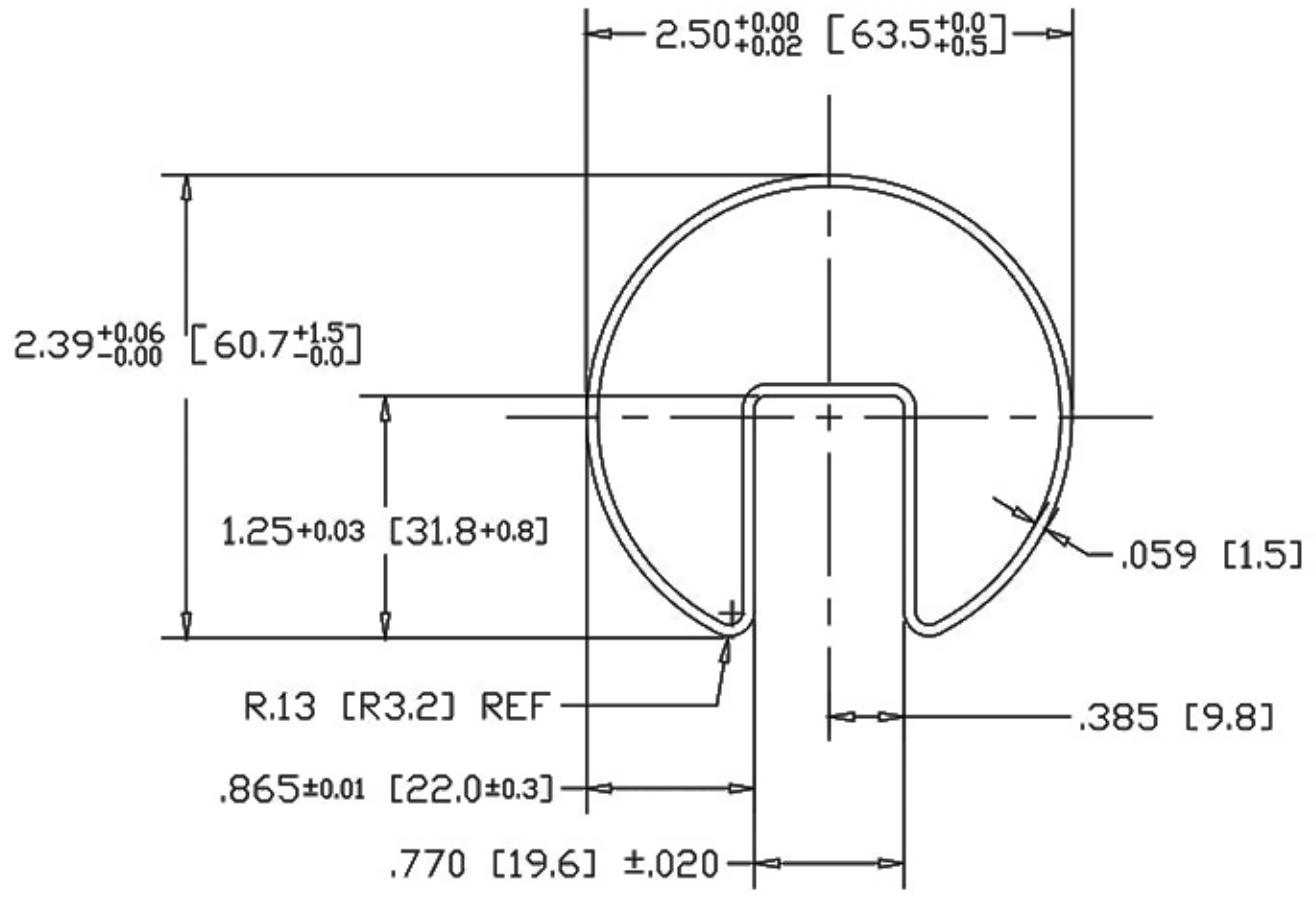


REV
SH
DWG NO GR3250.4L

REVISIONS			
REV	DESCRIPTION	DATE	APPROVED



NOTE: MAXIMUM ALLOWABLE TWIST
 0.5° PER FOOT WITH MAXIMUM 5.0° PER LENGTH
 INCHES (MILLIMETERS)

PART NAME 2.50" OD X .059W STAINLESS STEEL CAPRAIL			
MATERIAL 304 STAINLESS STEEL			
DATE 11/05/03		THE WAGNER COMPANIES R & B WAGNER, INC. AND J. G. BRAUN CO.	
DRAWN BY RJF			
FINISH #4 SATIN LENGTHWISE			
SIZE A	WEIGHT	PART NUMBER GR3250.4L	REV