

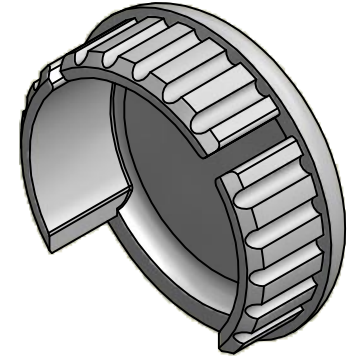
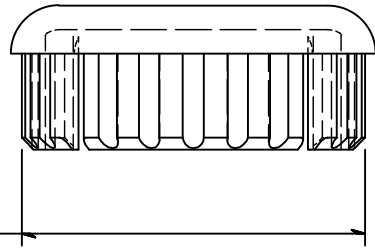
2



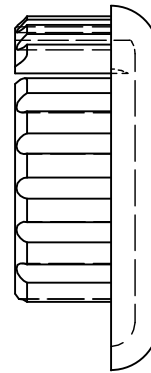
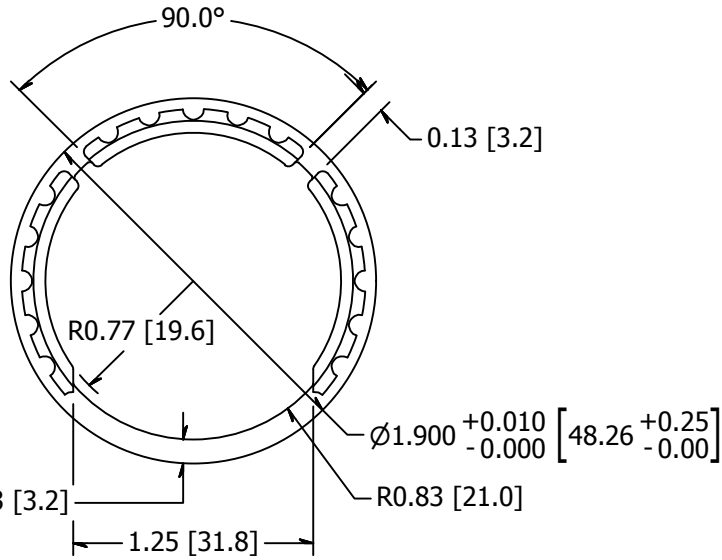
1

B

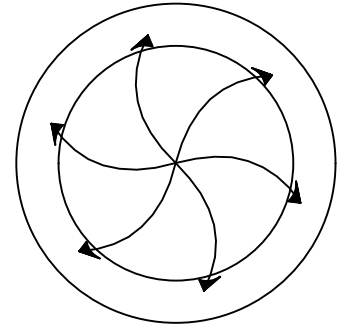
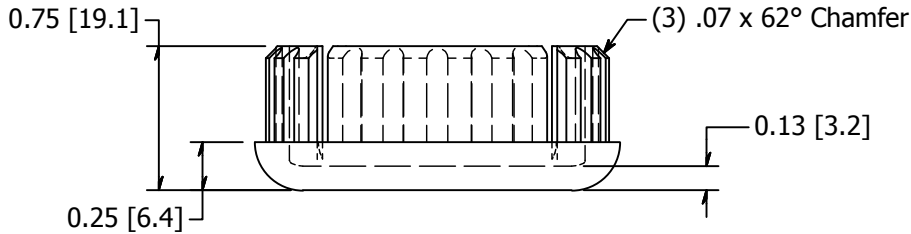
1.787 ± 0.005 [45.38 ± 0.13]



B



Finished Side




A

A

2



1

| | | | | | |
|---|-------------------|-------------|--|--|--|
| TOLERANCE X.X..... = ± .060 X.XX..... = ± .030 X.XXX..... = ± .010 XX°..... = ± 1° UNLESS OTHERWISE NOTED | CUT LENGTH: | FINISH: | DESCRIPTION: ENDCAP SS GLASS RAIL, FOR 1.90 OD, ALL CHANNELS | | |
| | | #4 | MATERIAL: | MATERIAL DESC: | |
| | DEVELOPED LENGTH: | WEIGHT: | DATE: | REV: | |
| | TOOL NUMBER: | | DRAWN BY: | | |
| | | | Stainless Steel | Type 316 | |
| | | 0.17 lbmass | 4/3/2015 | - | |
| | | | K. Turdo | | |
| | | | PART NUMBER: |  WAGNER COLLABORATIVE METAL WORKS | |
| | | | GR3193E.4 | | |