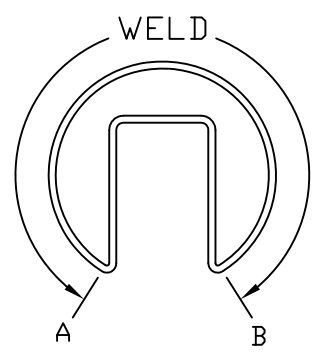
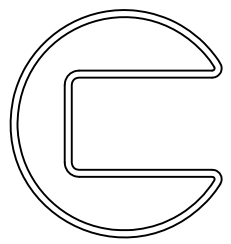
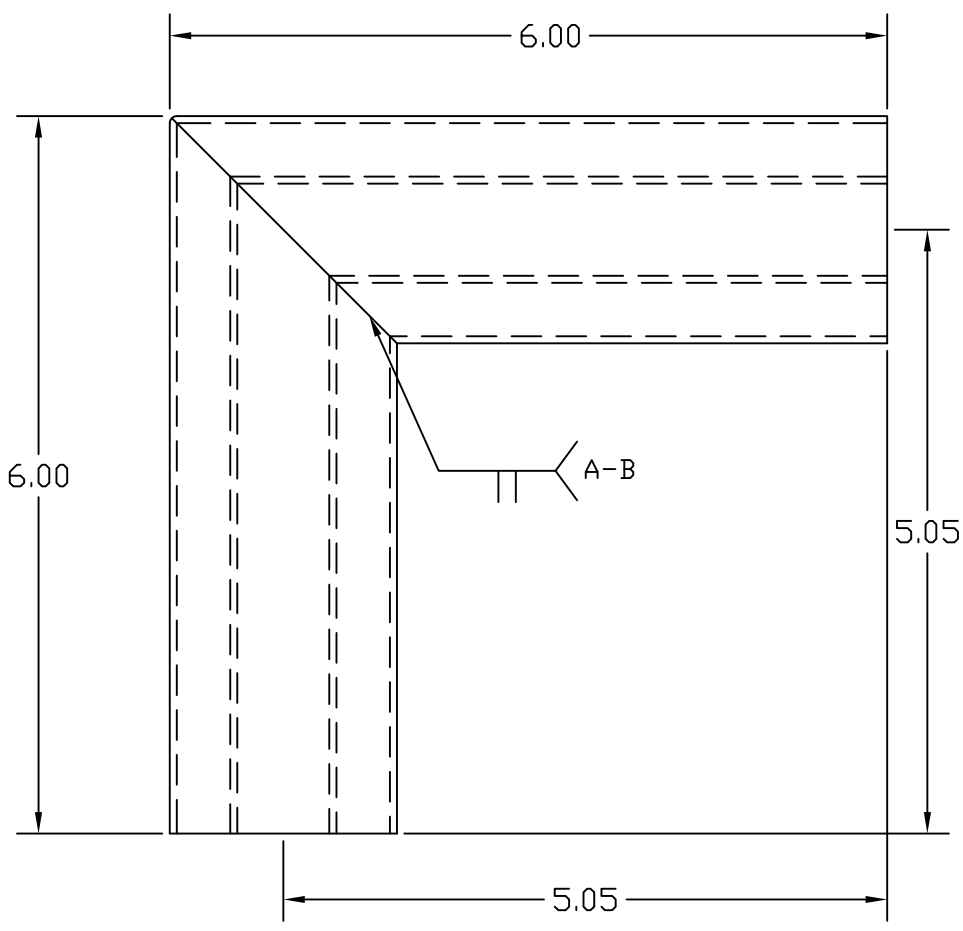



REV A  
SH  
DWG NO GR3190MK.4

| REVISIONS |                         |          |          |
|-----------|-------------------------|----------|----------|
| REV       | DESCRIPTION             | DATE     | APPROVED |
| A         | REMOVED EPOXY STIFFENER | 01/24/12 | RJF      |



|           |                          |   |        |             |     |
|-----------|--------------------------|---|--------|-------------|-----|
| PART NAME |                          | 1.90" OD X .059W STAINLESS STEEL CAPRAIL #GR3190  |        |             |     |
| MATERIAL  |                          | 90° HORIZONTAL CORNER   |        |             |     |
| DATE      | 04/05/06                 |  <b>THE WAGNER COMPANIES</b><br>R & B WAGNER, INC. AND J. G. BRAUN CO. |        |             |     |
| DRAWN BY  | RJF                      |   |        |             |     |
| FINISH    | #4 SATIN CIRCUMFERENTIAL | SIZE  | WEIGHT | PART NUMBER | REV |
|           |                          | A   |        | GR3190MK.4  | A   |