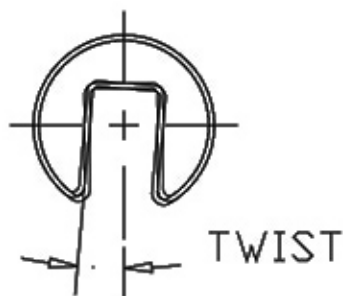
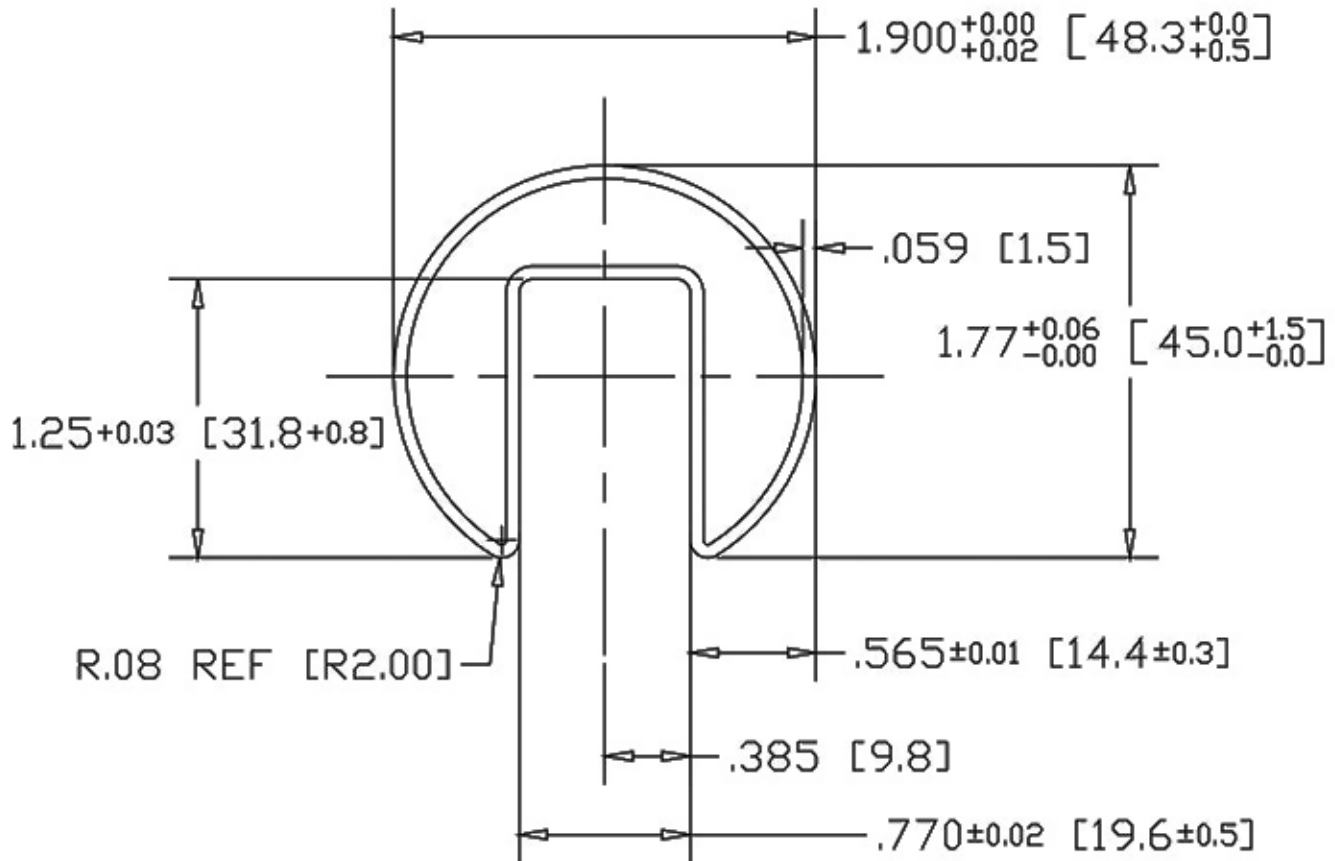



REV C
SH
DVG NO GR3190

REVISIONS			
REV	DESCRIPTION	DATE	APPROVED
A	1.77 WAS 1.73, ADDED R.08 DIM	08/24/05	RJF
B	1.77 MARKED AS 'REFERENCE'	10/19/05	RJF
C	REVISED DIMENSIONS AND TOLERANCES	04/01/08	RJF



NOTE: MAXIMUM ALLOWABLE TWIST
0.5° PER FOOT WITH MAXIMUM 5.0° PER LENGTH

INCHES (MILLIMETERS)

PART NAME 1.90" OD X .059W STAINLESS STEEL CAPRAIL				
MATERIAL 304 STAINLESS STEEL				
DATE 07/05/05	 THE WAGNER COMPANIES R & B WAGNER, INC. AND J. G. BRAUN CO.			
DRAWN BY RJF				
FINISH MILL	SIZE A	WEIGHT 1.67 LBS	PART NUMBER GR3190	REV C