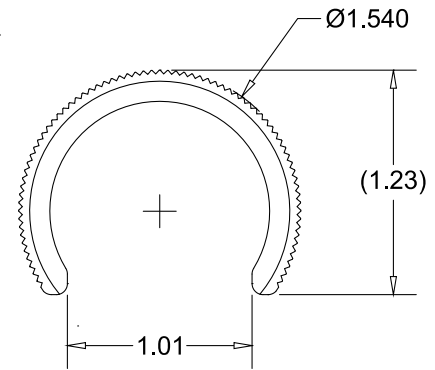



.10 X .06 CHAMFER
BOTH ENDS TYP



NAME		INTERNAL SPLICE SLEEVE 1.66 STAINLESS CAPRAIL		
MATERIAL		6005-T5 ALUMINUM EXTRUSION		
DATE	4/9/2007		THE WAGNER COMPANIES R & B WAGNER, INC. AND J. G. BRAUN CO.	
DRAWN	RJF			
FINISH	MILL	SIZE	WEIGHT	PART NUMBER
		A	.191 LBS	GR3166S
				REV A

REVISION HISTORY			
REV	DESCRIPTION	DATE	APPROVED
A	REDRAWN TO EXTRUSION	4/9/2007	RJF