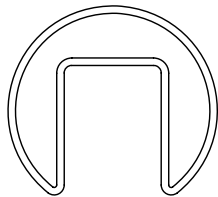
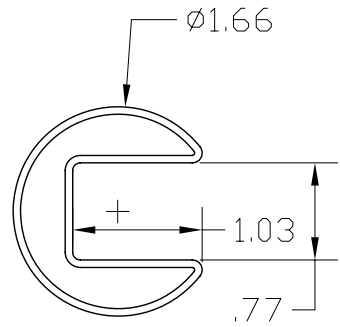
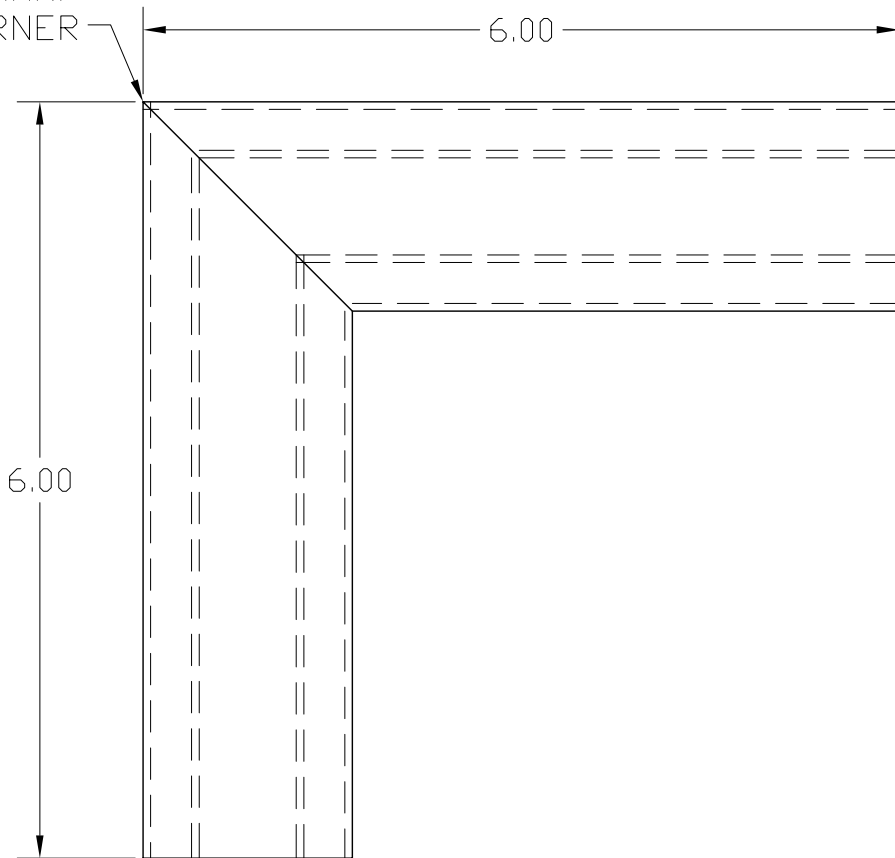


REV A
SH
DWG NO GR3166MK.4

REVISIONS			
REV	DESCRIPTION	DATE	APPROVED
A	REMOVED EPOXY REFERENCE	05/24/12	RJF

BREAK SHARP CORNER



PART NAME		1.66" OD SS CAPRAIL 90° HORIZONTAL MITERED CORNER	
MATERIAL		1.66" OD X .059W STAINLESS STEEL CAPRAIL	
DATE	01/04/07	WAGNER THE WAGNER COMPANIES R & B WAGNER, INC. AND J. G. BRAUN CO.	
DRAWN BY	RJF		
FINISH	#4 SATIN CIRCUMFERENTIAL	SIZE	A
		WEIGHT	
		PART NUMBER	GR3166MK.4
		REV	A