

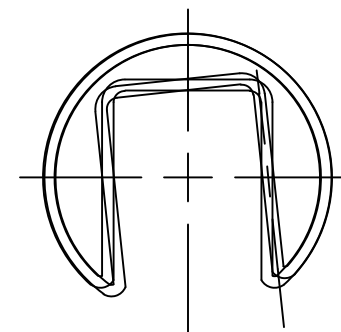
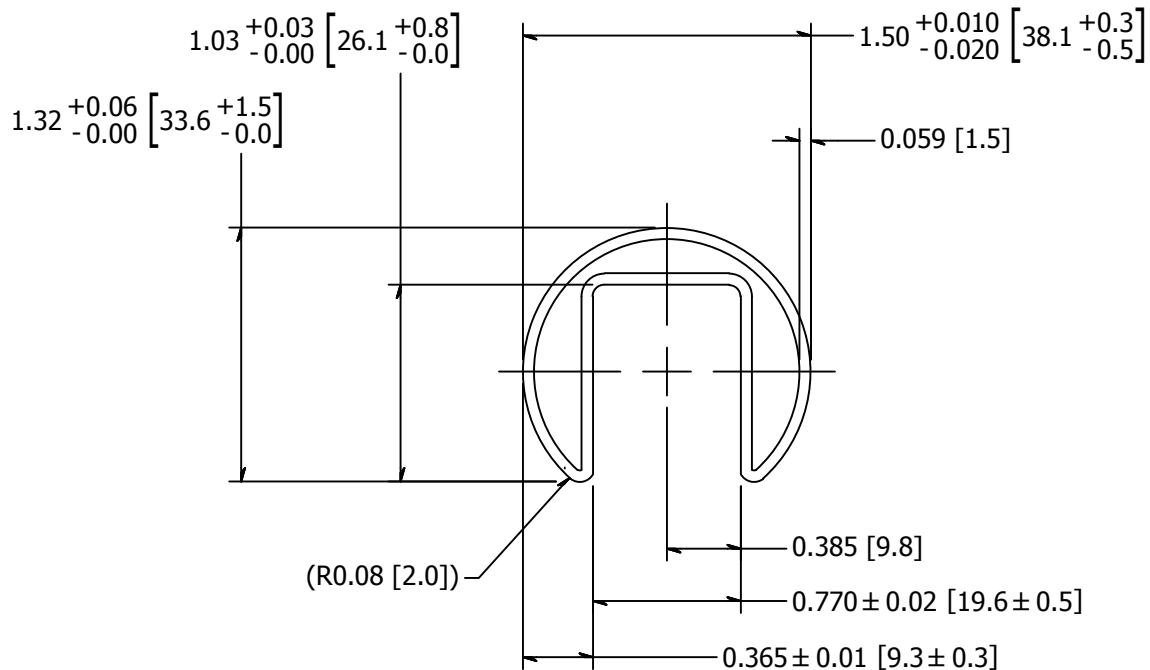
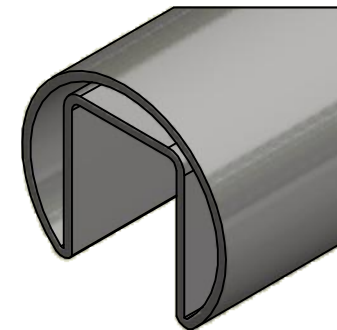
2



1

REVISION HISTORY

REV	DESCRIPTION	DATE	APPROVED
A	150 +.01/-.02 WAS 1.50 +0.0/-.02	4/4/2018	RJF



NOTE: MAXIMUM ALLOWABLE TWIST 0.5° PER FOOT WITH MAXIMUM 5.0° PER LENGTH

INCHES [MILLIMETERS]

TOLERANCE UNLESS OTHERWISE NOTED, TOLERANCES TO CONFORM TO ES.03.011	CUT LENGTH:	FINISH:	DESCRIPTION:	
		#4 Satin	1.50" OD w/ .059" Wall, .770" Wide by 1.03" Deep, Type 316	
	DEVELOPED LENGTH:	WEIGHT:	MATERIAL:	MATERIAL DESC:
		27.73 lbmass	Stainless Steel	316 Stainless Steel
TOOL NUMBER:		DATE:	REV:	 10600 W Brown Deer Rd Milwaukee, WI 53224 COLLABORATIVE METALWORKS http://www.wagnercompanies.com/
		4/4/2018	-	
		DRAWN BY:	PART NUMBER:	
		K. Bauserman	GR3152.4	

2



1

B

B



A

A