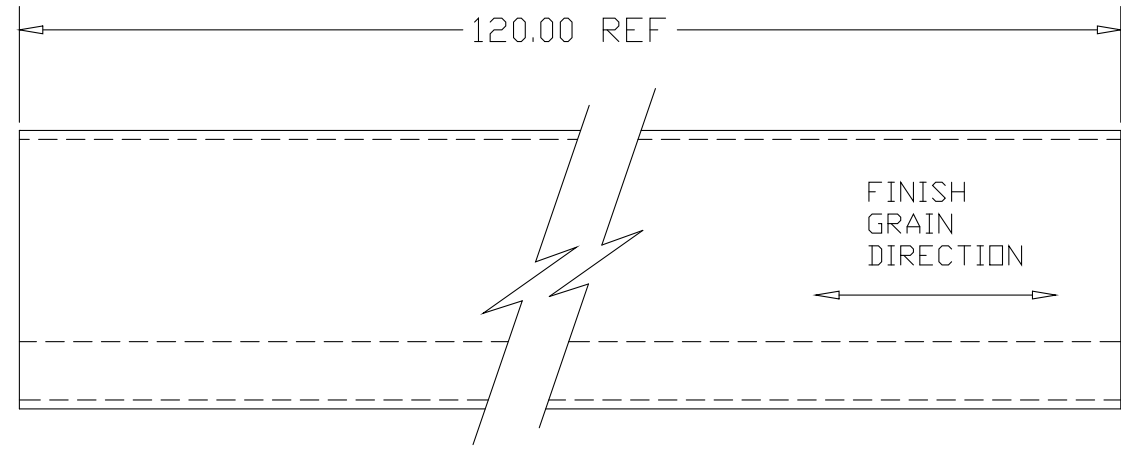
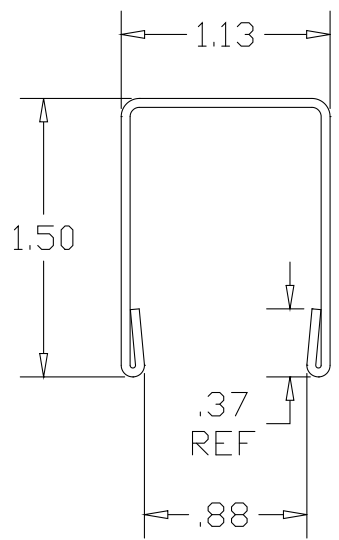



PART NUMBER	GR31115.4	SH	REV A
-------------	-----------	----	----------

REVISIONS			
REV	DESCRIPTION	DATE	APPROVED
A	.37 WAS .24	09/19/06	RJF



PART NAME		U-CHANNEL CAPRAIL FOR .75" GLASS		
MATERIAL		18 GA. (.048) 304 STAINLESS STEEL SHEET		
DATE	02/06/06		THE WAGNER COMPANIES R & B WAGNER, INC. AND J. G. BRAUN CO.	
DRAWN BY	RJF			
FINISH	#4 SATIN	SIZE A	WEIGHT 7.428 LBS	PART NUMBER GR31115.4
				REV A