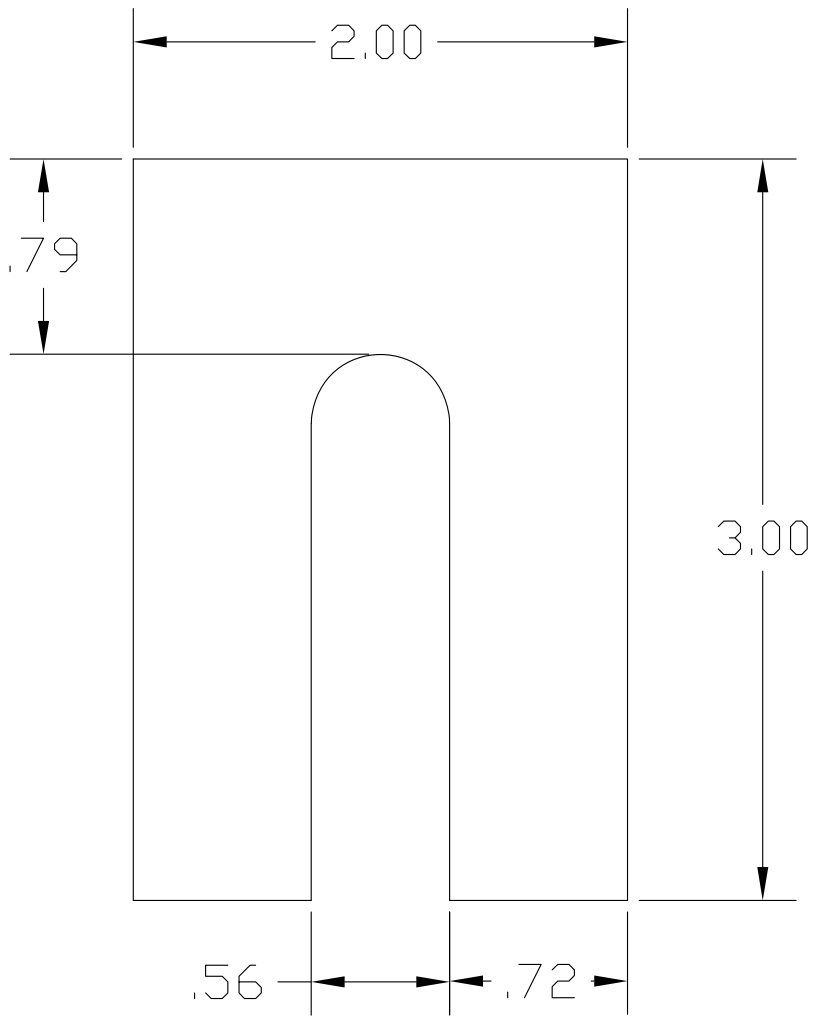



REV
SH
DWG NO GR2HS25

REVISIONS			
REV	DESCRIPTION	DATE	APPROVED



PART NAME		SHIMS AL .250 HORSE SHOE (2X3)			
MATERIAL		SHEET AL .250 5052-H32 ASTM B209			
DATE	5/12/09	 THE WAGNER COMPANIES R & B WAGNER, INC. AND J. G. BRAUN CO.			
DRAWN BY	DGP				
FINISH	MILL		SIZE	WEIGHT	PART NUMBER
		A		GR2HS25	REV