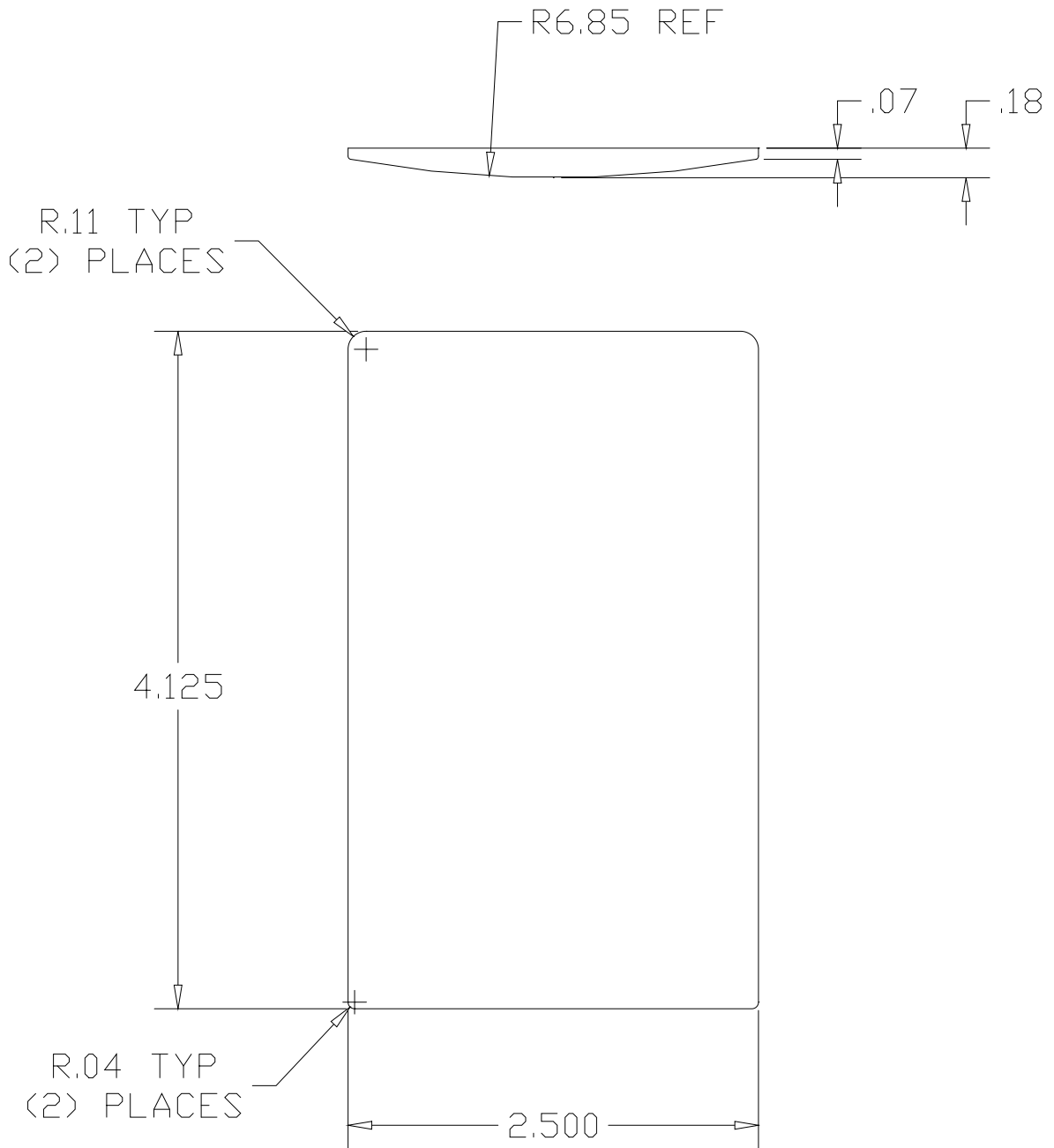


REV
SH
GR2852EM
DWG NO

| REVISIONS | | | |
|-----------|-------------|------|----------|
| REV | DESCRIPTION | DATE | APPROVED |



UNLESS OTHERWISE SPECIFIED
DIMENSIONS ON THIS DRAWING
ARE SUBJECT TO THE
FOLLOWING TOLERANCES:

X.X = .100
X.XX = .030
X.XXX = .010

| | | | | |
|-----------|----------|-----------------------|--|-------------|
| PART NAME | | END CAP, SHOE MOLDING | | |
| MATERIAL | | 6063-T52 ALUMINUM | | |
| DATE | 01/20/10 | | THE WAGNER COMPANIES R & B WAGNER, INC. AND J. G. BRAUN CO. | |
| DRAWN BY | RJF | | | |
| FINISH | MILL | SIZE | WEIGHT | PART NUMBER |
| | | A | .14 LBS | GR2852EM |
| | | | | REV |