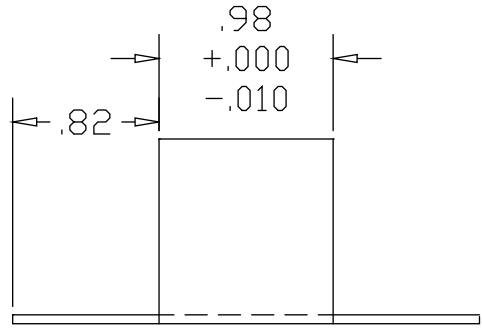
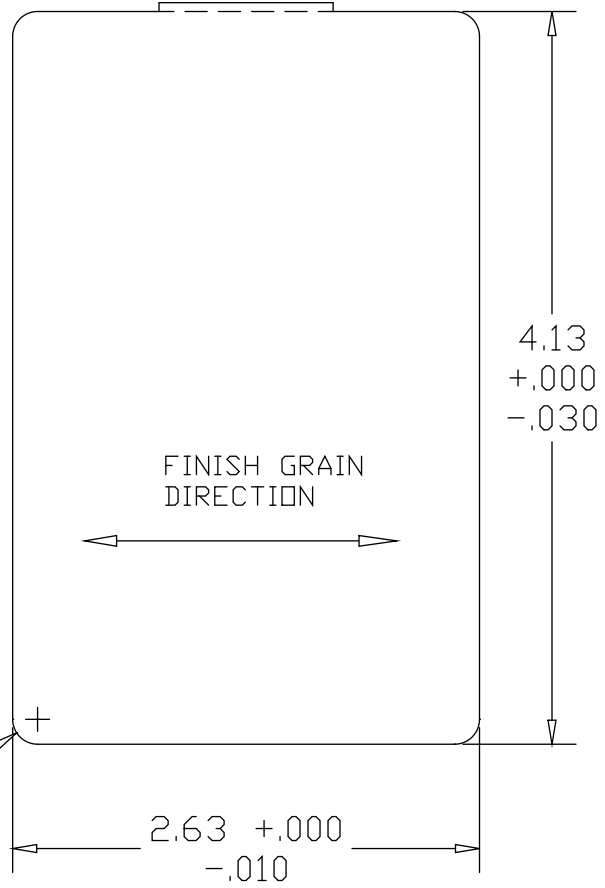
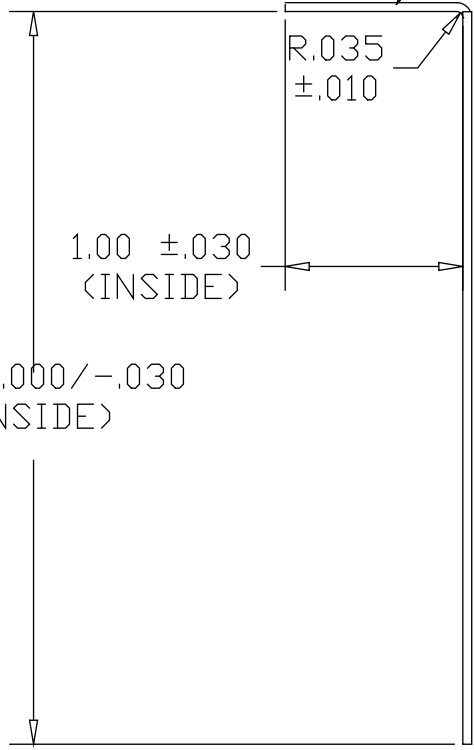



REV
SH
DWG NO GR2852EC.4

REVISIONS			
REV	DESCRIPTION	DATE	APPROVED



#4 FINISH ON OUTSIDE



PART NAME				END CAP, SHOE MOLDING WITH CLADDING			
MATERIAL				.050" 5052-H32 ALUMINUM SHEET			
DATE		02/23/12				THE WAGNER COMPANIES R & B WAGNER, INC. AND J. G. BRAUN CO.	
DRAWN BY		RJF					
FINISH		#4 SATIN		SIZE		WEIGHT	
		A		PART NUMBER		REV	
				GR2852EC.4			

