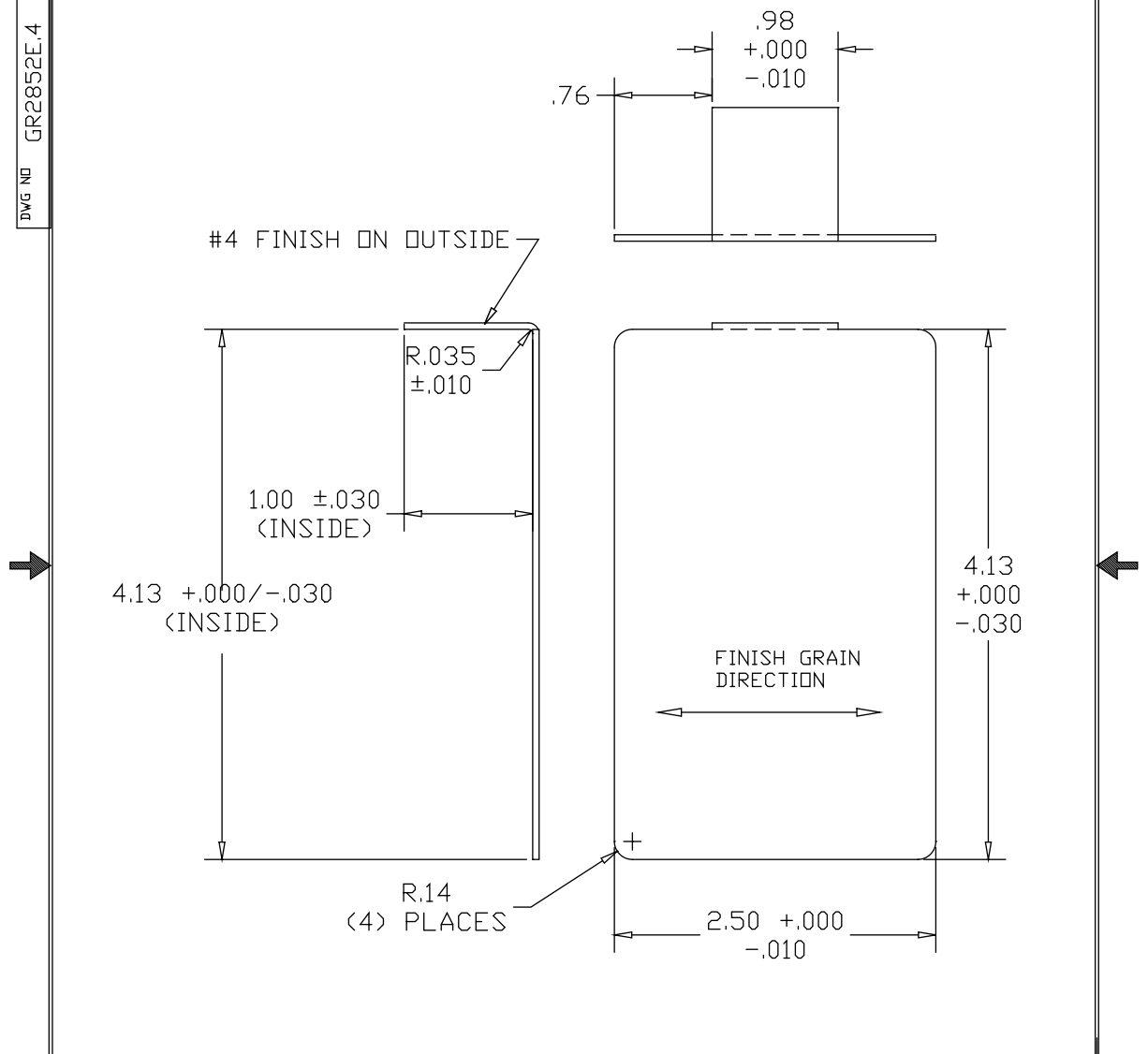



REV 1  
SH  
DWG NO GR2852E.4

REVISIONS			
REV	DESCRIPTION	DATE	APPROVED
1	MATERIAL THICKNESS WAS .032"	03/07/11	PWH



PART NAME				END CAP, CLADDING, GLASS RAIL SHOE MOLDING			
MATERIAL				.050" 5052-H32 ALUMINUM SHEET			
DATE		01/20/10		 <b>THE WAGNER COMPANIES</b> R & B WAGNER, INC. AND J. G. BRAUN CO.		REV	
DRAWN BY		RJF				PART NUMBER	
FINISH		SATIN CLEAR ANODIZED		SIZE		A	
				WEIGHT			
				PART NUMBER		GR2852E.4	

