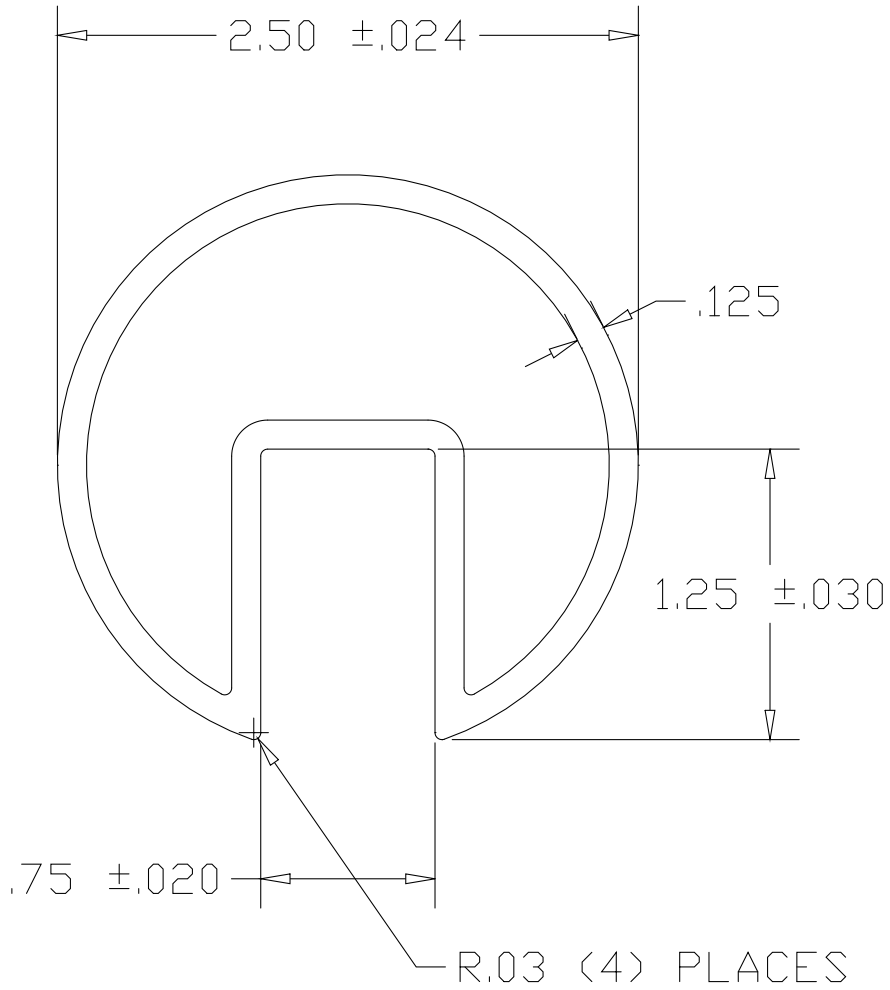



REV
SH
DWG NO GR2250

REVISIONS			
REV	DESCRIPTION	DATE	APPROVED



PART NAME		2.50" OD EXTRUDED CAP RAIL		
MATERIAL		6063 ALUMINUM		
DATE	08/08/05	 THE WAGNER COMPANIES R & B WAGNER, INC. AND J. G. BRAUN CO.		
DRAWN BY	RJF			
FINISH	MILL	SIZE	WEIGHT	PART NUMBER
		A		GR2250
				REV