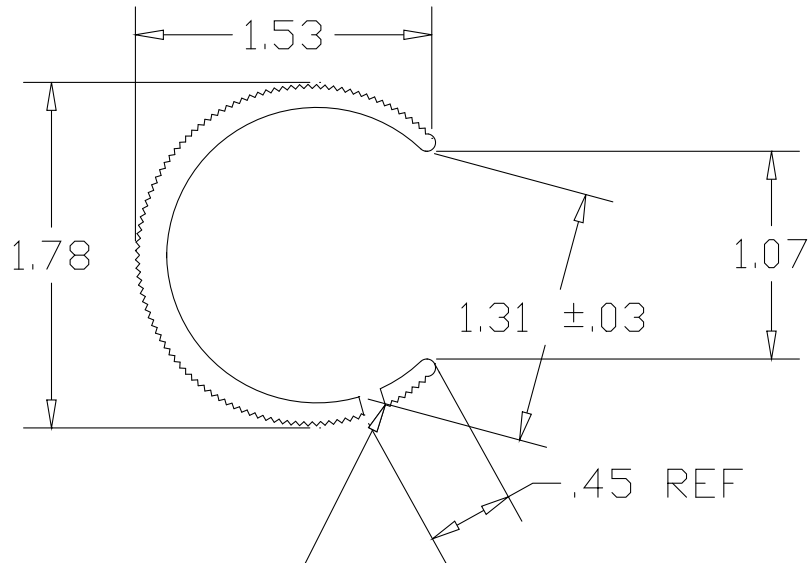



REV
SH
DWG NO GR2200S

REVISIONS			
REV	DESCRIPTION	DATE	APPROVED



NOTE: CUT ONE LEG LENGTHWISE TO ALLOW CLEARANCE FOR CAPRAIL CHANNEL

PART NAME		SLEEVE ALUMINUM CONNECTOR FOR 2.00 OD X .125W		
MATERIAL		ALUMINUM SLEEVE BGR2200S		
DATE	03/23/05	 THE WAGNER COMPANIES R & B WAGNER, INC. AND J. G. BRAUN CO.		
DRAWN BY	RJF			
FINISH	MILL			
SIZE	A	WEIGHT	PART NUMBER	GR2200S
				REV