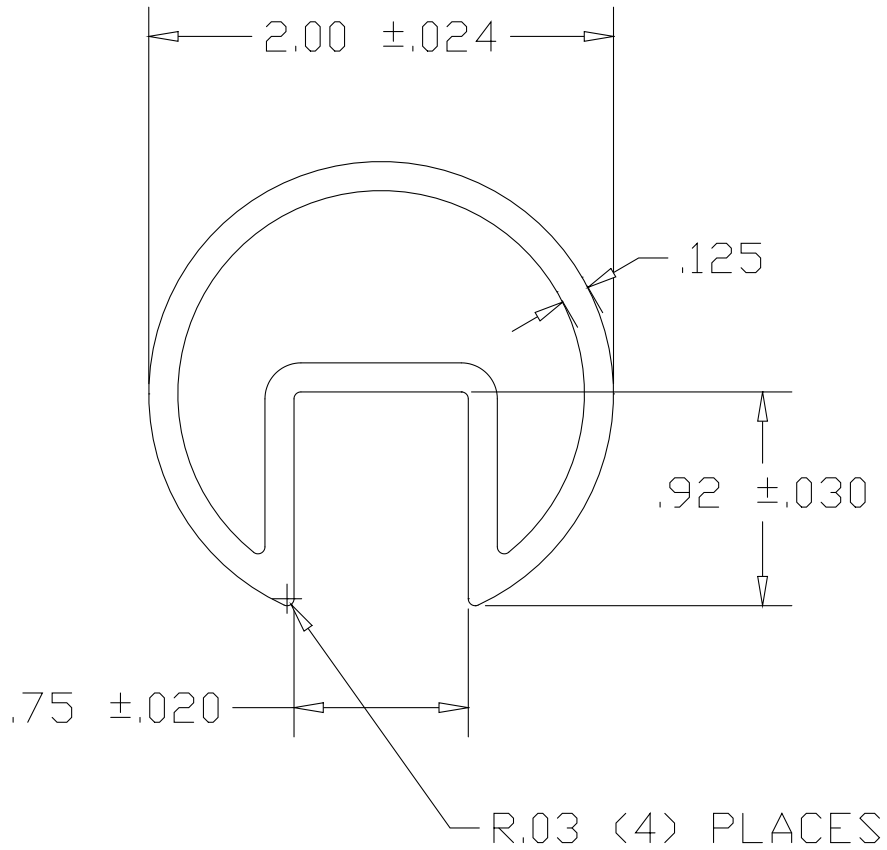



REV  
SH  
DWG NO GR2200

REVISIONS			
REV	DESCRIPTION	DATE	APPROVED



PART NAME		2.00" OD EXTRUDED CAP RAIL		
MATERIAL		6063 ALUMINUM		
DATE	08/08/05	 <b>THE WAGNER COMPANIES</b> R & B WAGNER, INC. AND J. G. BRAUN CO.		
DRAWN BY	RJF			
FINISH	MILL	SIZE	WEIGHT	PART NUMBER
		A		GR2200
				REV