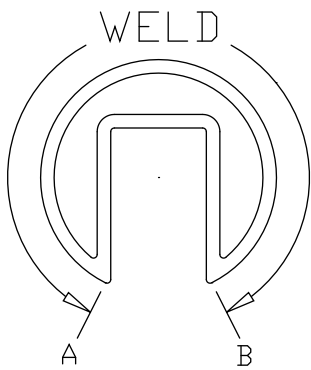
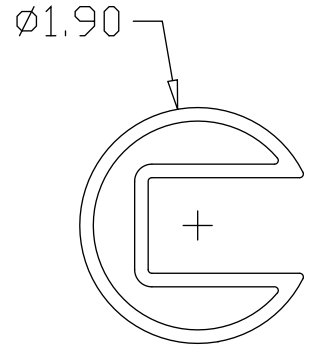
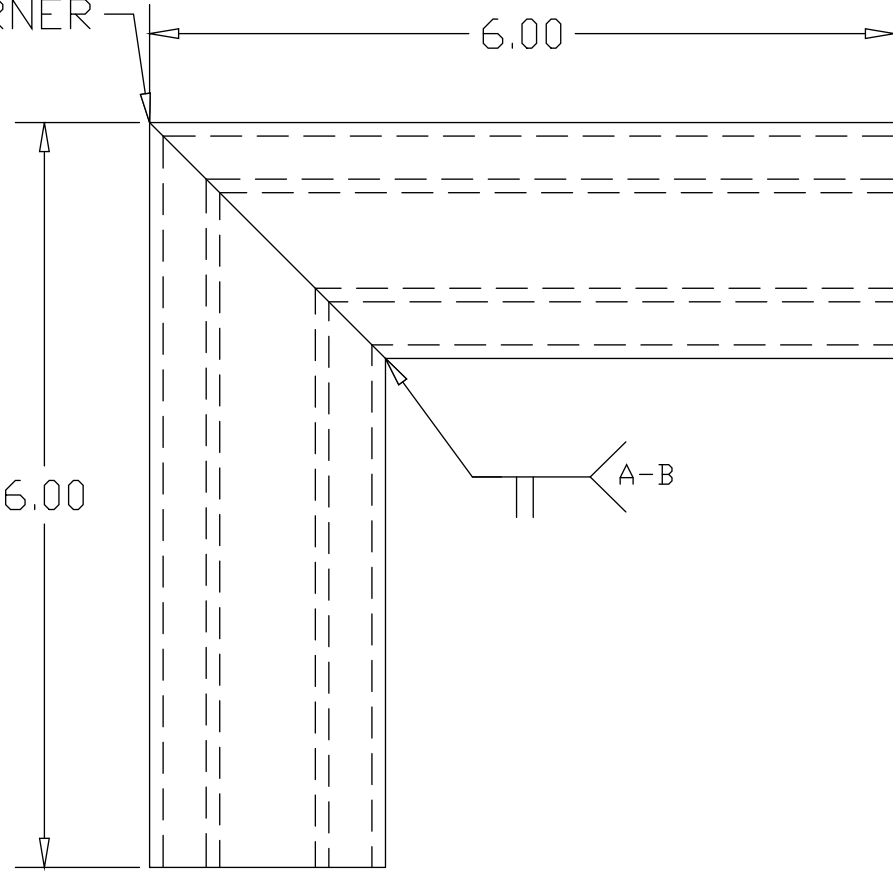



REV
A
SH
DVG NO GR2190MK

REVISIONS			
REV	DESCRIPTION	DATE	APPROVED
A	REMOVED EPOXY REFERENCE	05/29/12	RJF

BREAK
SHARP
CORNER



PART NAME		1.90" OD ALUM CAPRAIL 90° HORIZONTAL MITERED CORNER		
MATERIAL		1.90" OD X .109W ALUMINUM CAPRAIL		
DATE	01/04/07		THE WAGNER COMPANIES R & B WAGNER, INC. AND J. G. BRAUN CO.	
DRAWN BY	RJF			
FINISH	MILL			
SIZE	A	WEIGHT	PART NUMBER	GR2190MK
				REV A