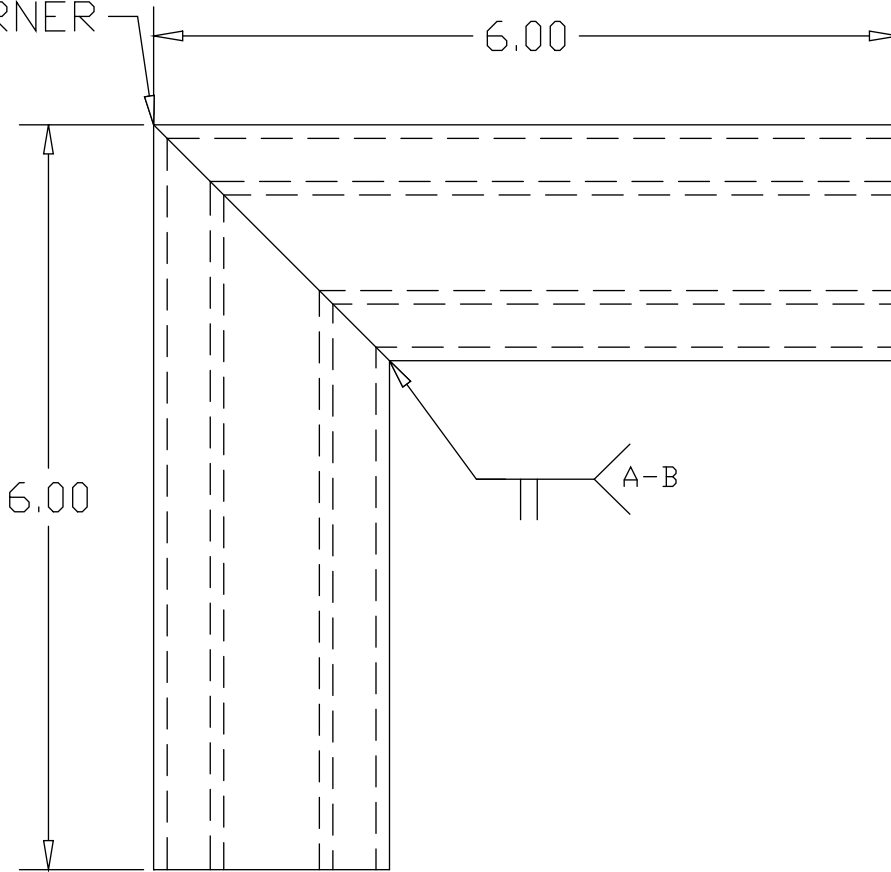


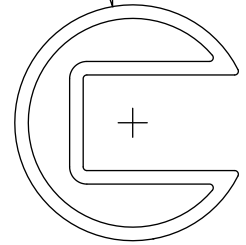
REV A  
SH  
DWG NO GR2190MK.4

REVISIONS			
REV	DESCRIPTION	DATE	APPROVED
A	REMOVED EPOXY REFERENCE	05/29/12	RJF

BREAK SHARP CORNER



Ø1.90

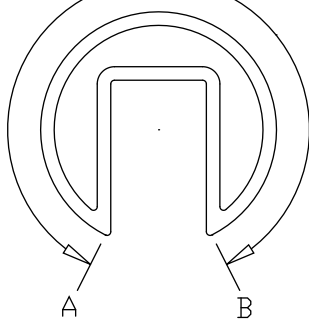


A-B

6.00


6.00

WELD



A

B

PART NAME		1.90" OD ALUM CAPRAIL 90° HORIZONTAL MITERED CORNER	
MATERIAL		1.90" OD X .109W ALUMINUM CAPRAIL	
DATE	01/04/07	 <b>THE WAGNER COMPANIES</b> R & B WAGNER, INC. AND J. G. BRAUN CO.	PART NUMBER <b>GR2190MK.4</b>
DRAWN BY	RJF		
FINISH	#4 SATIN		
SIZE	A	WEIGHT	REV A