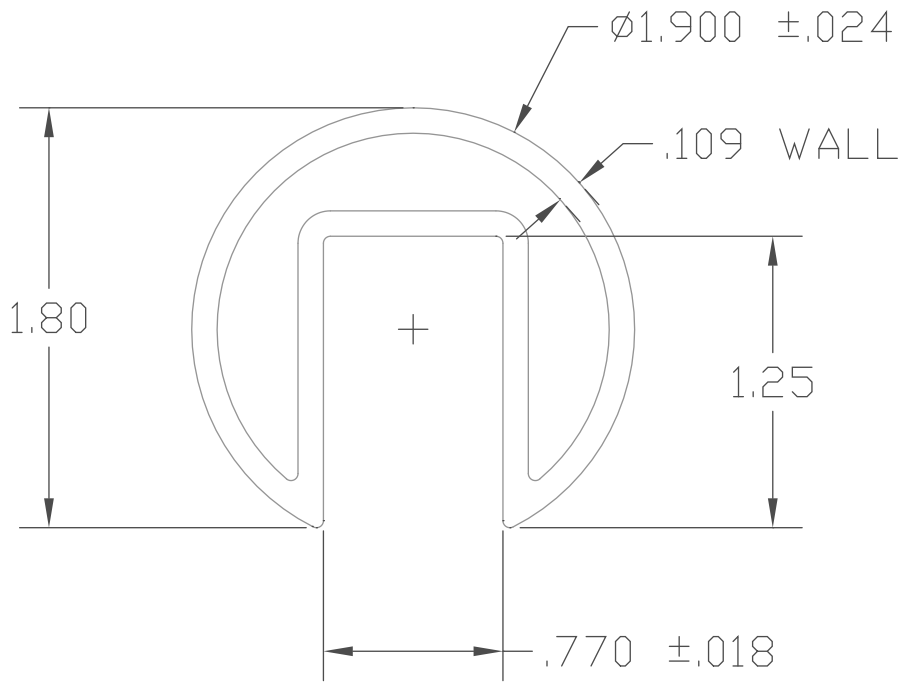



REV B
SH
DWG NO GR2190

| REVISIONS | | | |
|-----------|--------------------|----------|----------|
| REV | DESCRIPTION | DATE | APPROVED |
| A | REVISED TOLERANCES | 09/12/08 | RJF |
| B | REVISED TOLERANCES | 09/15/08 | RJF |



*UNLESS OTHERWISE SPECIFIED,
TOLERANCES ON THIS DRAWING ARE ±.018

| | | | | |
|-----------|----------|---|--|-------------|
| PART NAME | | 1-1/2" PIPE SIZE EXTRUDED CAP RAIL | | |
| MATERIAL | | 6063 ALUMINUM | | |
| DATE | 02/23/05 |  | THE WAGNER COMPANIES R & B WAGNER, INC. AND J. G. BRAUN CO. | |
| DRAWN BY | RJF | | | |
| FINISH | MILL | SIZE | WEIGHT | PART NUMBER |
| | | A | | GR2190 |
| | | | | REV B |