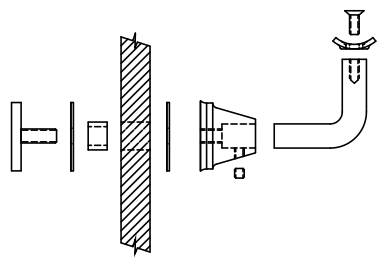
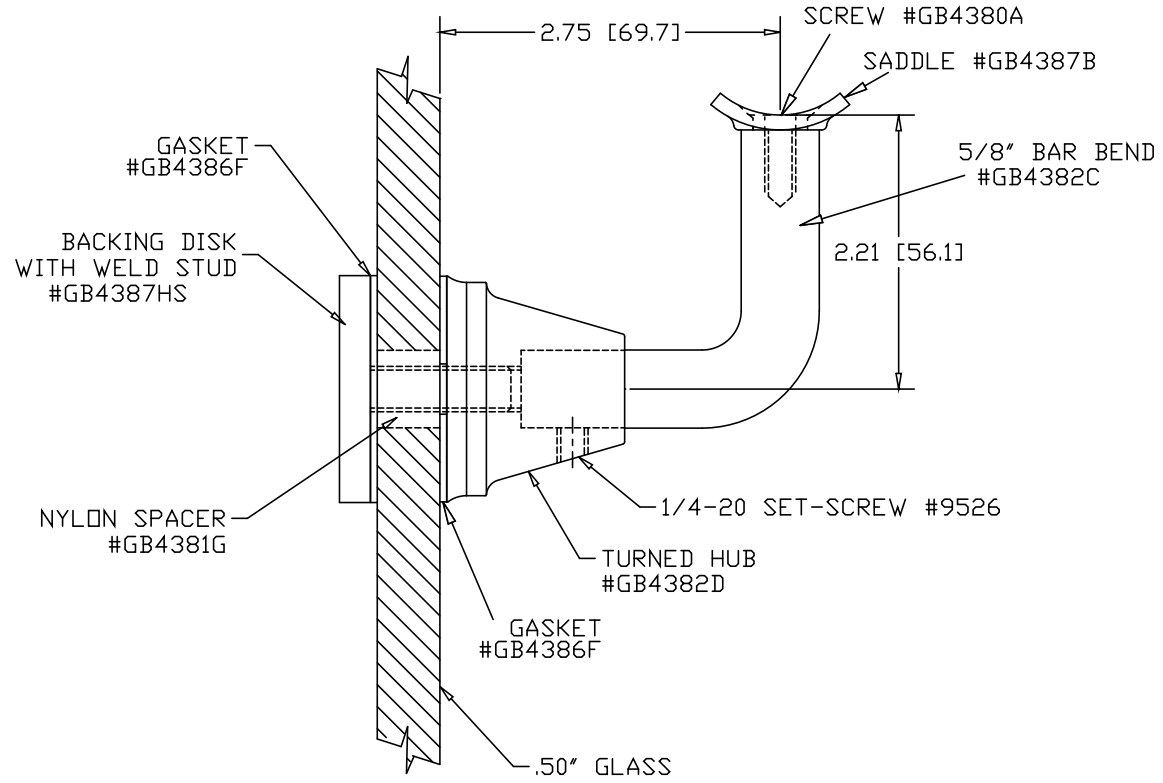
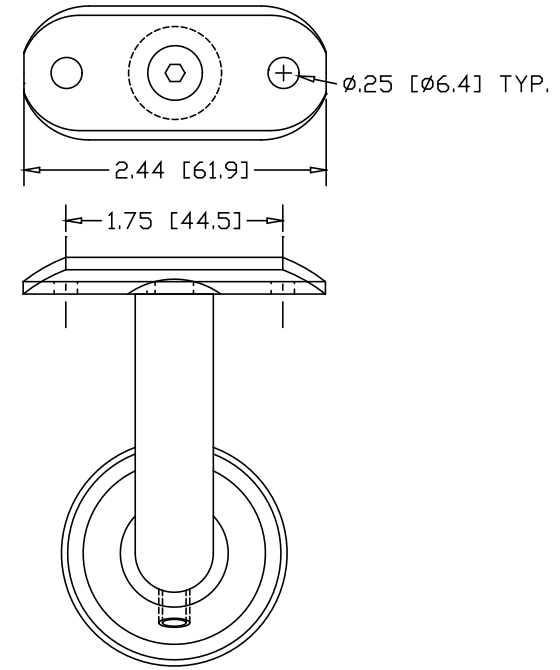



REVISIONS			
REV	DESCRIPTION	DATE	APPROVED



EXPLODED VIEW

PART NAME		GLASS BRACKET ASSEMBLY WITH 1.83" BACKING DISK	
MATERIAL		304 STAINLESS STEEL	
DATE	12/10/09	 THE WAGNER COMPANIES R & B WAGNER, INC. AND J. G. BRAUN CO.	PART NUMBER
DRAWN BY	RDC		
FINISH	#4 SATIN	WEIGHT	1.5 LBS
SIZE	A	PART NUMBER	GB4387
		REV	A