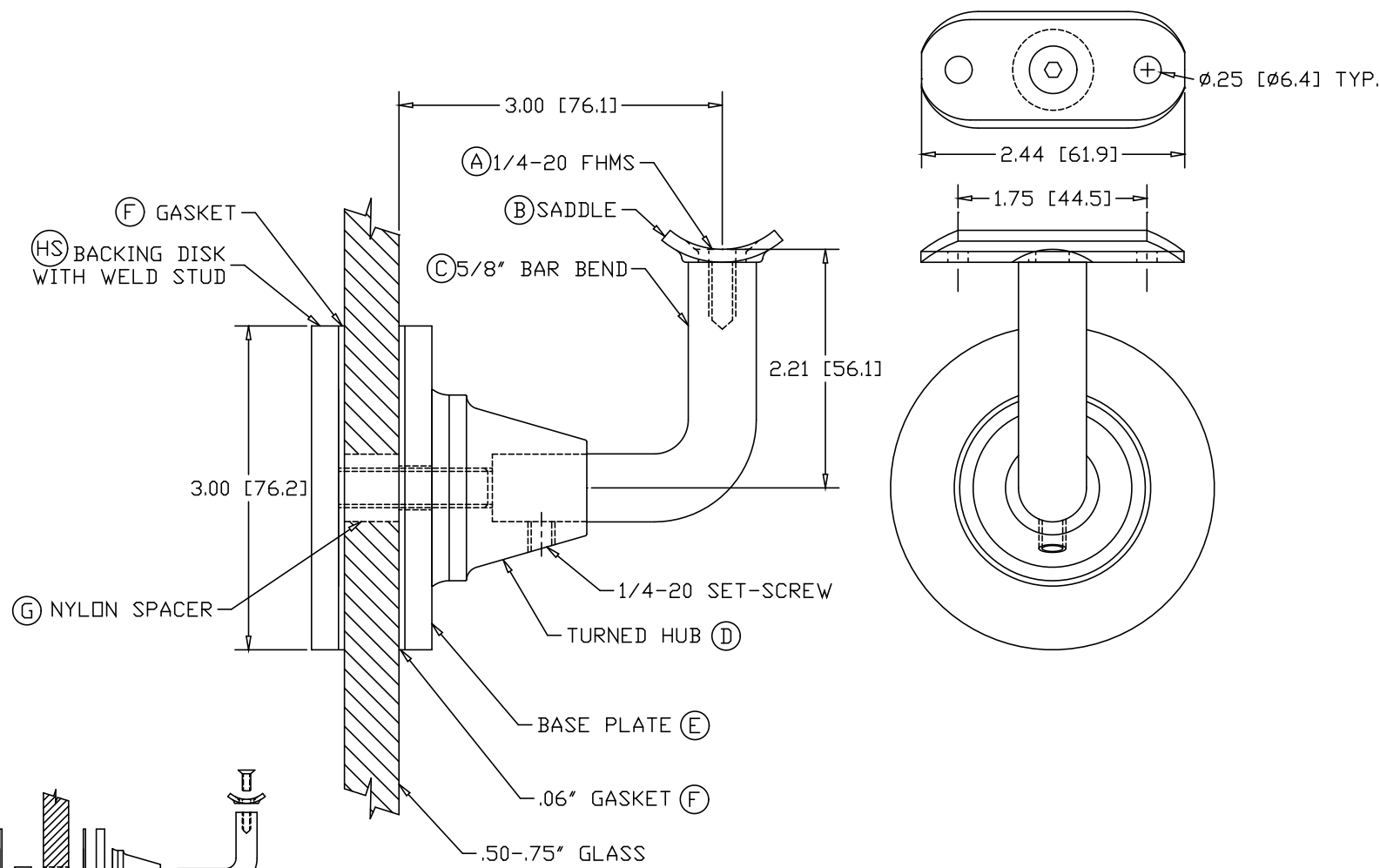



REVISIONS			
REV	DESCRIPTION	DATE	APPROVED
A	REVISED SADDLE	1/20/06	RDC



EXPLODED VIEW

PART NAME		GLASS BRACKET ASSEMBLY WITH BACKING DISK	
MATERIAL		304 STAINLESS STEEL	
DATE	10/04/05	 THE WAGNER COMPANIES R & B WAGNER, INC. AND J. G. BRAUN CO.	PART NUMBER GB4383
DRAWN BY	RJF		
FINISH	#4 SATIN		
SIZE	A	WEIGHT	1.98 LBS
		REV	A