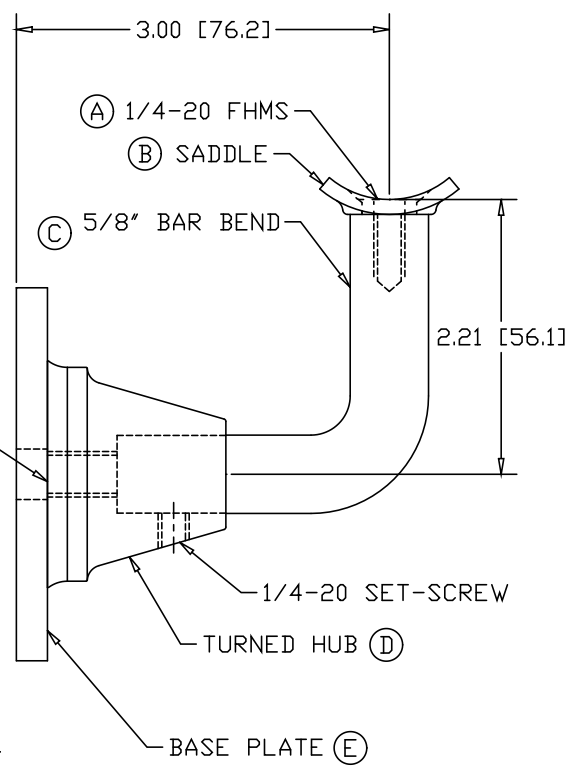
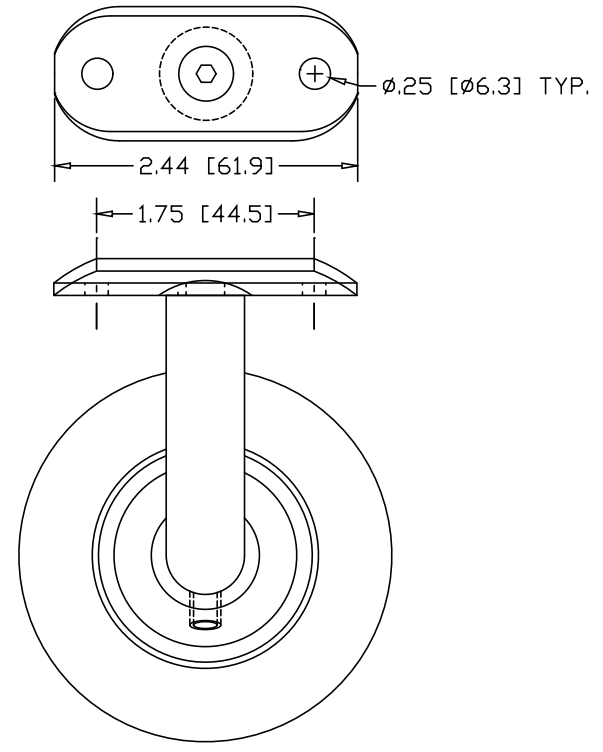
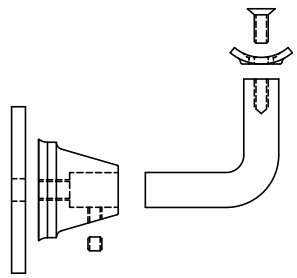


REVISIONS			
REV	DESCRIPTION	DATE	APPROVED
A	2.21 WAS 2.12	8/27/02	RJF
B	REVISED SADDLE	1/20/06	RDC



3/8-16 TAPPED HOLE
TO BE USED WITH 3/8-16
HANGER OR MOUNTING BOLT



INCHES[MILLIMETERS]

ALTERNATE MATERIAL	PART NO.
304 STAINLESS STEEL	GB4382
260 BRASS	GB4384

PART NAME		GLASS STYLE MACHINED BRACKET ASSEMBLY		
MATERIAL		6063 ALUMINUM		
DATE	7/21/98		THE WAGNER COMPANIES R & B WAGNER, INC. AND J. G. BRAUN CO.	
DRAWN BY	RJF			
FINISH	#4 SATIN	SIZE	WEIGHT	PART NUMBER
		A	.46 LBS	GB4380
				REV B