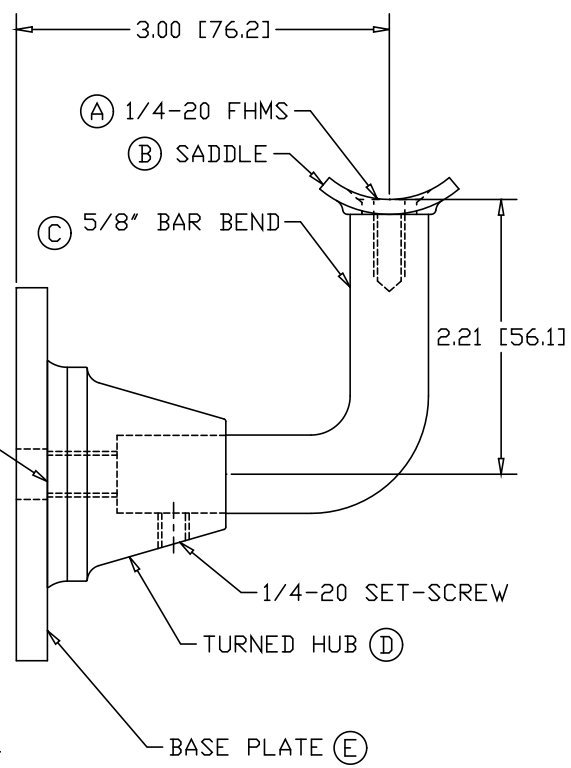
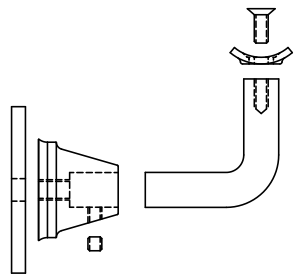
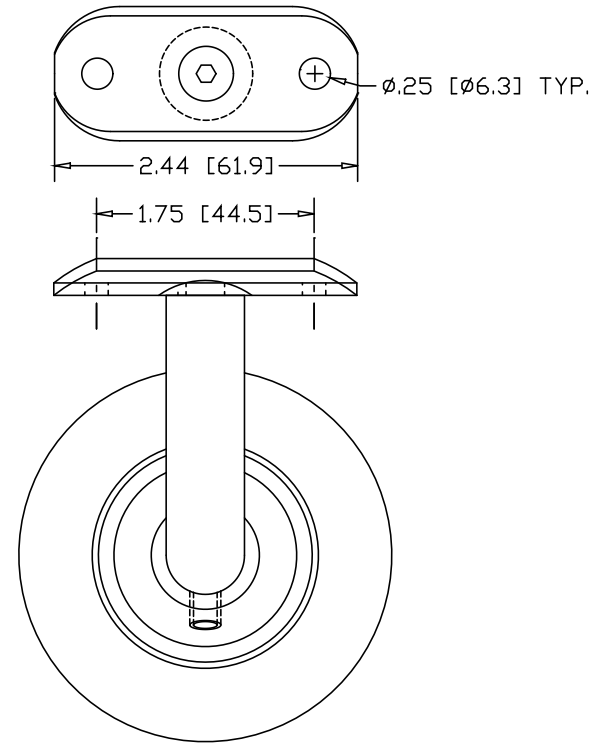


REVISIONS			
REV	DESCRIPTION	DATE	APPROVED
A	2.21 WAS 2.12	8/27/02	RJF
B	REVISED SADDLE	1/20/06	RDC




3/8-16 TAPPED HOLE
TO BE USED WITH 3/8-16
HANGER OR MOUNTING BOLT



EXPLODED VIEW

INCHES[MILLIMETERS]

ALTERNATE MATERIAL	PART NO.
304 STAINLESS STEEL	GB4382
260 BRASS	GB4384

PART NAME		GLASS STYLE MACHINED BRACKET ASSEMBLY	
MATERIAL		6063 ALUMINUM	
DATE	7/21/98	 THE WAGNER COMPANIES R & B WAGNER, INC. AND J. G. BRAUN CO.	
DRAWN BY	RJF		
FINISH	#4 SATIN	SIZE A	WEIGHT .46 LBS
		PART NUMBER	GB4380
			REV B