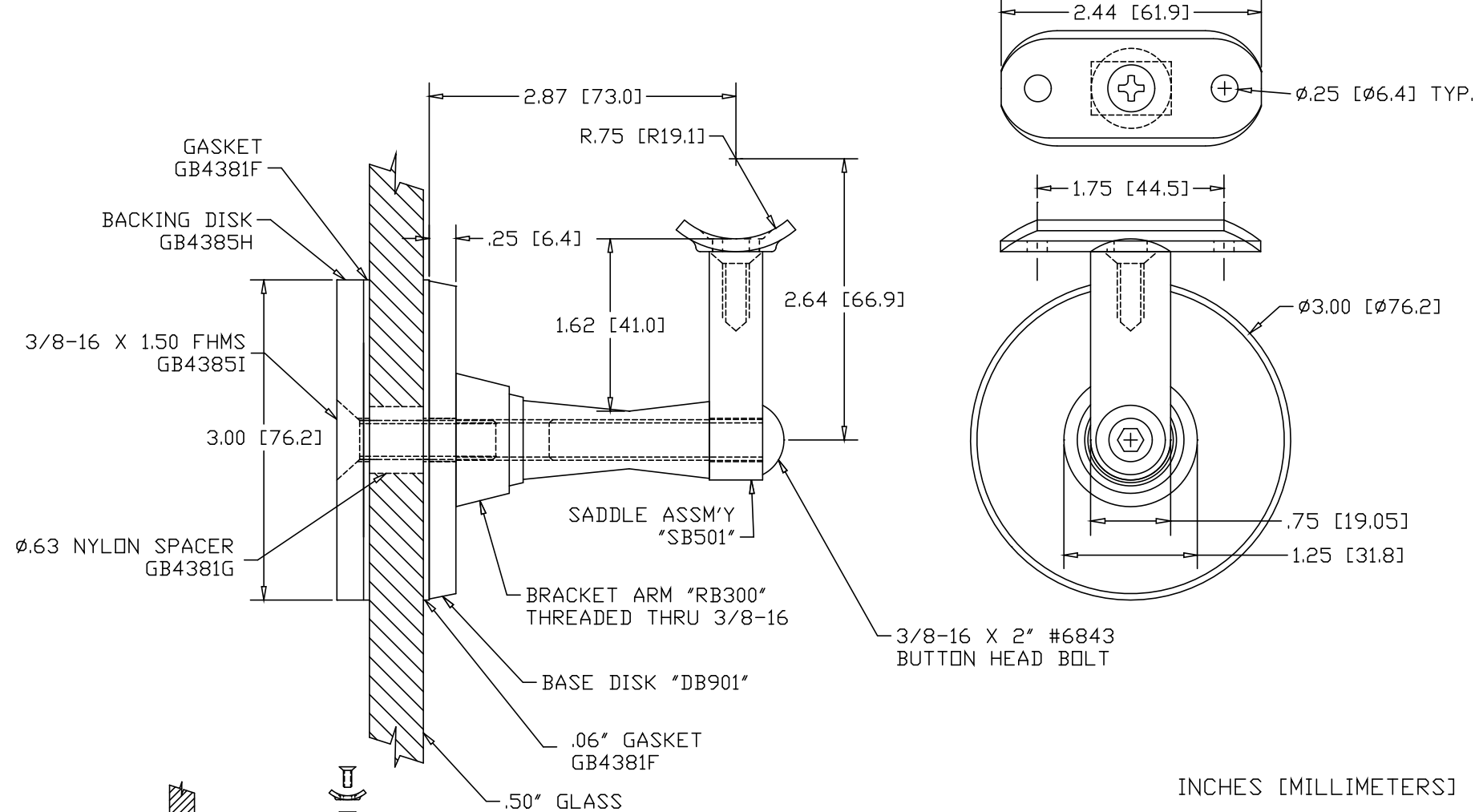
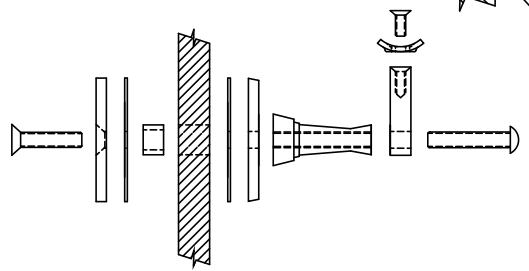


REVISIONS			
REV	DESCRIPTION	DATE	APPROVED
A	REVISED SADDLE	1/20/06	RDC



INCHES [MILLIMETERS]



EXPLODED VIEW

PART NAME		MACHINED BRACKET, GLASS MOUNT		
MATERIAL		BRASS		
DATE	9/15/03		THE WAGNER COMPANIES R & B WAGNER, INC. AND J. G. BRAUN CO.	
DRAWN BY	RJF			
FINISH	#6 SATIN	SIZE	WEIGHT	PART NUMBER
		A		GB4301
				REV A