

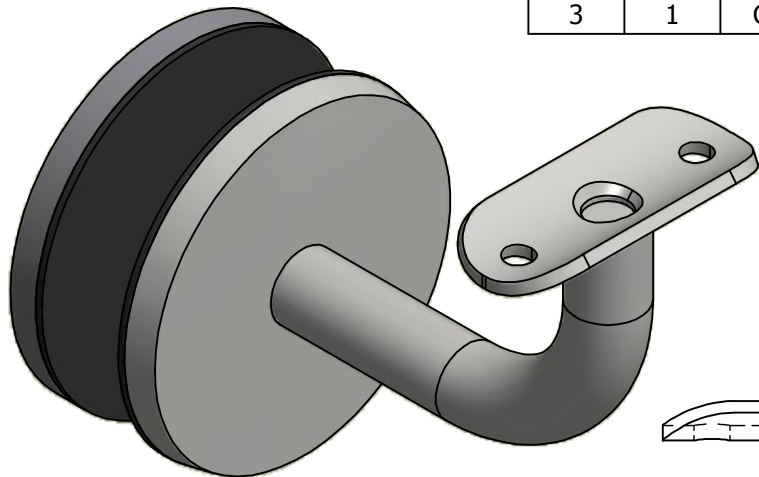
2



1

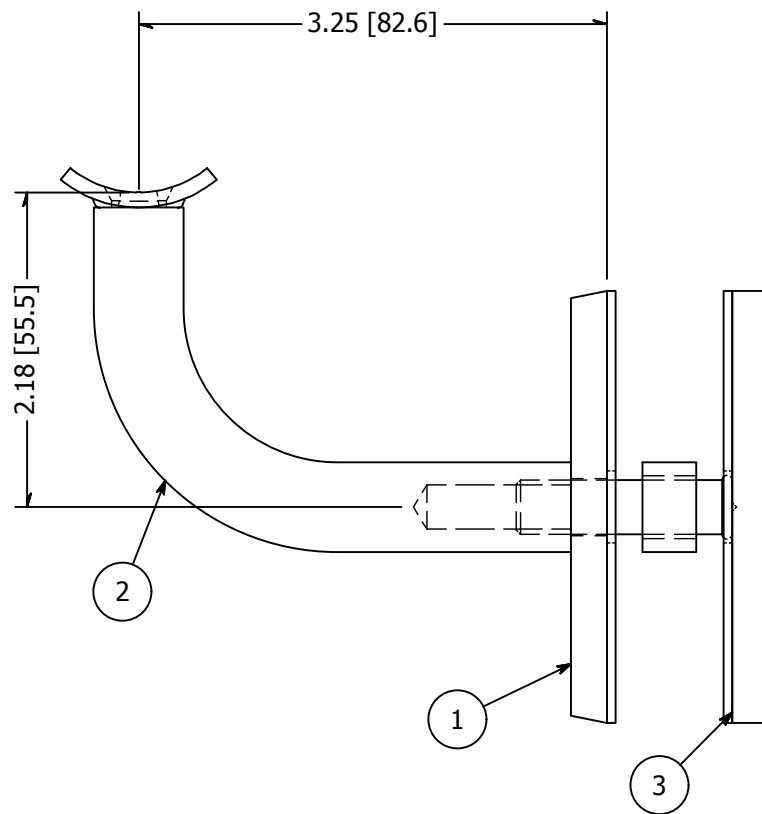
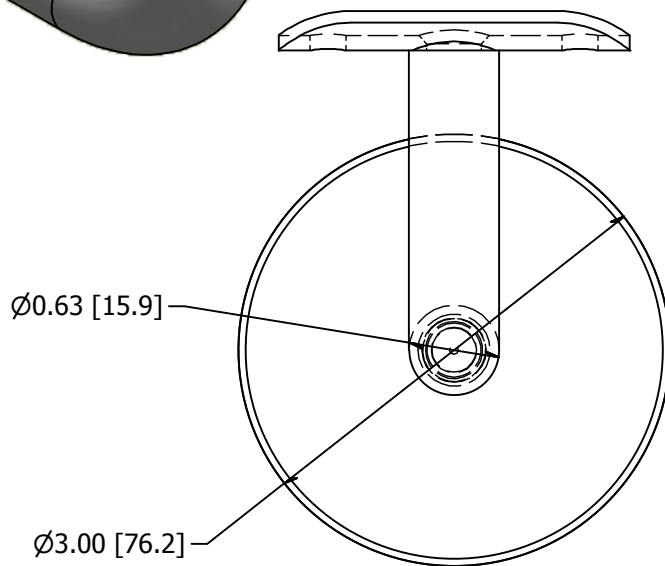
PARTS LIST

ITEM	QTY	PART NUMBER	DESCRIPTION
1	1	DS901	3" Round Backing Disk for Wall Mount
2	1	RB34130P.4	Handrail Bar Bend, SS, 5/8 Inch Diameter Bar, 3 Inch From Post and Center
3	1	GB4383K.75	GLASS MOUNT ADAPTER KIT SS #4 FOR 3/4" GLASS




B

B



A

A

<b>TOLERANCE</b> FRACTION: X/XX..... = ± 1/16" over 4ft. 16 FT RAIL EXAMPLE: 16 FT / 4 FT = 4 * 1/16" = 1/4" 16 FT RAIL..... = ± 1/4"  DECIMAL: X.XX..... = ± .030 X.XXX..... = ± .010  UNLESS OTHERWISE NOTED	FINISH:	DESCRIPTION: Handrail Glass Bracket, SS, 5/8 Inch Diameter Bar, 3-1/4 Inch From Glass and Center							
	#4	MATERIAL:	304 Stainless	CUSTOMER NAME:					
	WEIGHT:	DATE:	8/28/2015	 <b>THE WAGNER COMPANIES</b> R & B WAGNER, INC. AND J. G. BRAUN CO.					
	1.52 lbmass	DRAWN BY:	K. Turdo						
SIZE:	A	ITEM NUMBER:	GB34130.4	SHEET:	1 OF 1	DRAWING NUMBER:	GB34130.4	REV:	-

2



1