

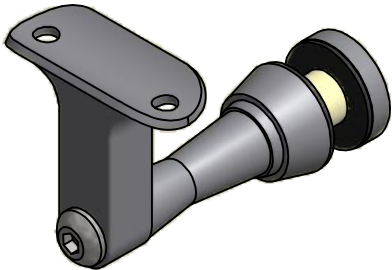
2



1

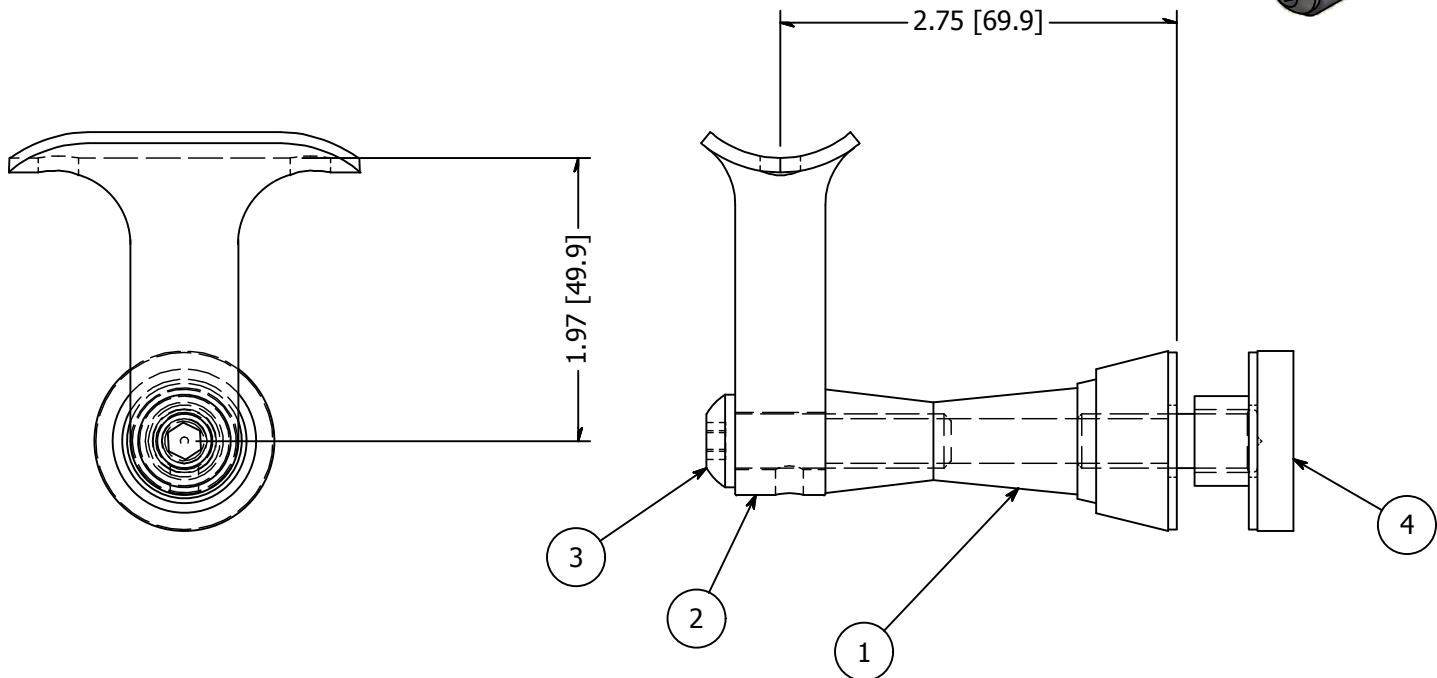
PARTS LIST

ITEM	QTY	PART NUMBER	DESCRIPTION
1	1	RS300	Handrail Bracket Arm, SS, 2-3/8 Inch Long, 3/8-16 Tapped Through
2	1	S3502	Handrail Bracket Saddle And Vertical Arm, SS, Cast, #4 Satin Finish, Type 316
3	1	BAH3N3816-0150	SCREW, SS, 3/8-16 X 1.50 Inch, Button, Allen Head
4	1	GB3000K	GLASS ADAPTER KIT SS 1.25 #4 FOR 1/2 GLASS



B

B



A

A

REVISION HISTORY		
REV	DESCRIPTION	DATE
1	REMOVE SADDLE ASSEMBLY	1/22/2014

<b>TOLERANCE</b> FRACTION: X/XX..... = ± 1/16" over 4ft. 16 FT RAIL EXAMPLE: 16 FT / 4 FT = 4 * 1/16" = 1/4" 16 FT RAIL..... = ± 1/4"  DECIMAL: X.XX..... = ± .030 X.XXX..... = ± .010  UNLESS OTHERWISE NOTED	FINISH: <b>#4</b>	DESCRIPTION: Handrail Bracket, SS, Glass Mount, 1/2 Inch, 2-3/4 Inch From Glass To Center			
	WEIGHT: <b>0.85 lbmass</b>	MATERIAL: <b>304 Stainless</b>	CUSTOMER NAME:		
	SIZE: <b>A</b>	DATE: <b>4/28/2014</b>		<b>THE WAGNER COMPANIES</b> R & B WAGNER, INC. AND J. G. BRAUN CO.	
		DRAWN BY: <b>K. Turdo</b>			ITEM NUMBER: <b>GB3303</b>

2



1