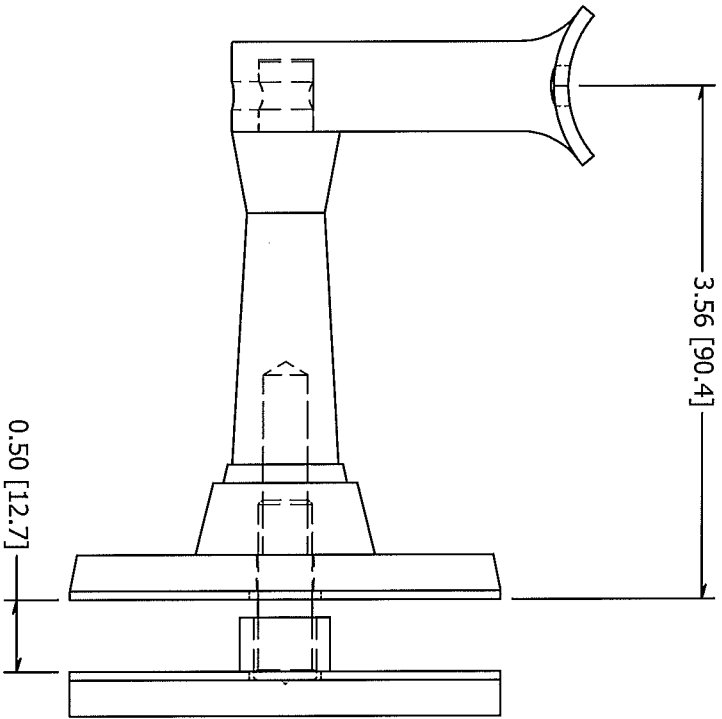
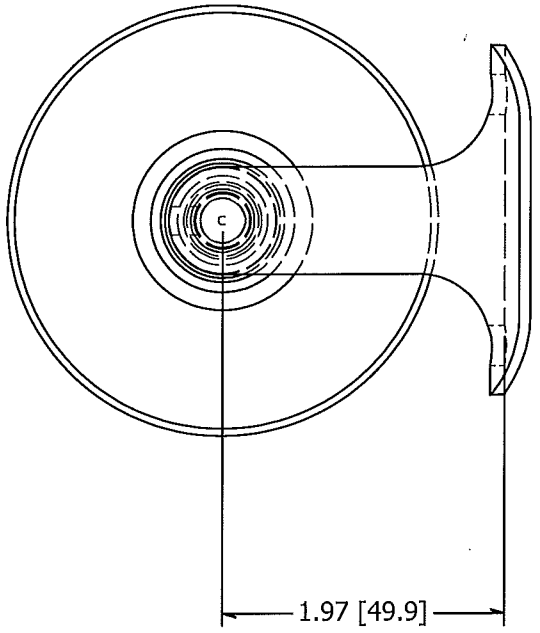
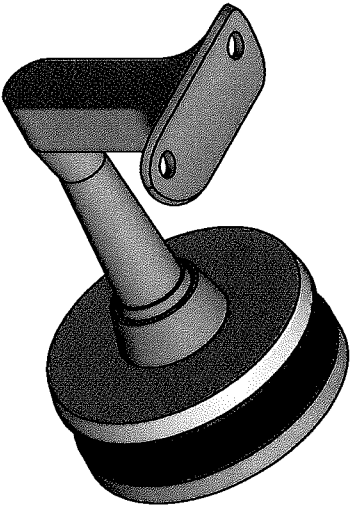


PARTS LIST

ITEM	QTY	PART NUMBER	DESCRIPTION
1	1	MB3300P	Handrail Bracket, SS, Post Mount, 3-1/4 Inch From Post to Center of Handrail
2	1	DS901	3" Round Backing Disk for Wall Mount
3	1	GB4383K	GLASS MOUNT ADAPTER KIT SS #4



TOLERANCE

FRACTION: X/XX..... = ± 1/16" over 4ft.
 16 FT / 4 FT EXAMPLE:
 16 FT RAIL..... = ± 1/4"
 16 FT RAIL..... = ± 1/4"
 DECIMAL: X.XX..... = ± .030
 X.XXX..... = ± .010
 UNLESS OTHERWISE NOTED

FINISH: #4

WEIGHT: 1.83 lbmass

SIZE: A

DESCRIPTION: Handrail Bracket, SS, Glass Mount, 1/2 Inch, 3-1/2 Inch From Glass To Center

MATERIAL: 316 Stainless

CUSTOMER NAME:

DATE: 10/22/2013

DRAWN BY: K. Turdo

ITEM NUMBER: GB3300

ITEM NUMBER: GB3300



THE WAGNER COMPANIES
 R & B WAGNER, INC. AND J. G. BRAUN CO.

SHEET: 1 OF 1

DRAWING NUMBER: GB3300

REV: -

A

B

A

B