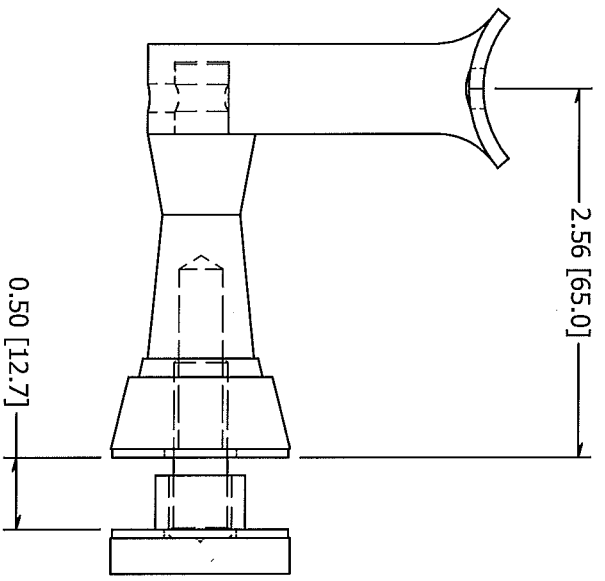
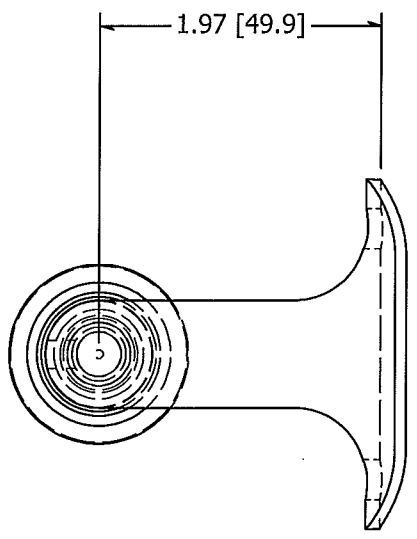
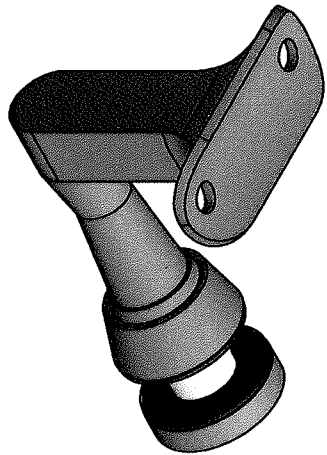


PARTS LIST

ITEM	QTY	PART NUMBER	DESCRIPTION
1	1	MB3250P	Handrail Bracket, SS, Post Mount, 2-1/2 Inch From Post to Center of Handrail
2	1	GB3000K	GLASS ADAPTER KIT SS 1.25 #4 FOR 1/2 GLASS



TOLERANCE

FRACTION: X/XX..... = ± 1/16" over 4ft.
 16 FT RAIL EXAMPLE:
 16 FT / 4 FT = 4 * 1/16" = 1/4"
 16 FT RAIL..... = ± 1/4"
 DECIMAL: X.XX..... = ± .030
 X.XXX..... = ± .010
 UNLESS OTHERWISE NOTED

FINISH: #4	DESCRIPTION: Handrail Bracket, SS, Glass Mount, 1/2 Inch, 2-1/2 Inch From Glass to Center
WEIGHT: 0.82 lbmass	MATERIAL: 304 Stainless
DATE: 10/22/2013	CUSTOMER NAME:
DRAWN BY: K. Turdo	



THE WAGNER COMPANIES
 R & B WAGNER, INC. AND J. G. BRAUN CO.

ITEM NUMBER: GB3270	SHEET: 1 OF 1	DRAWING NUMBER: GB3270	REV: -
---------------------	---------------	------------------------	--------