

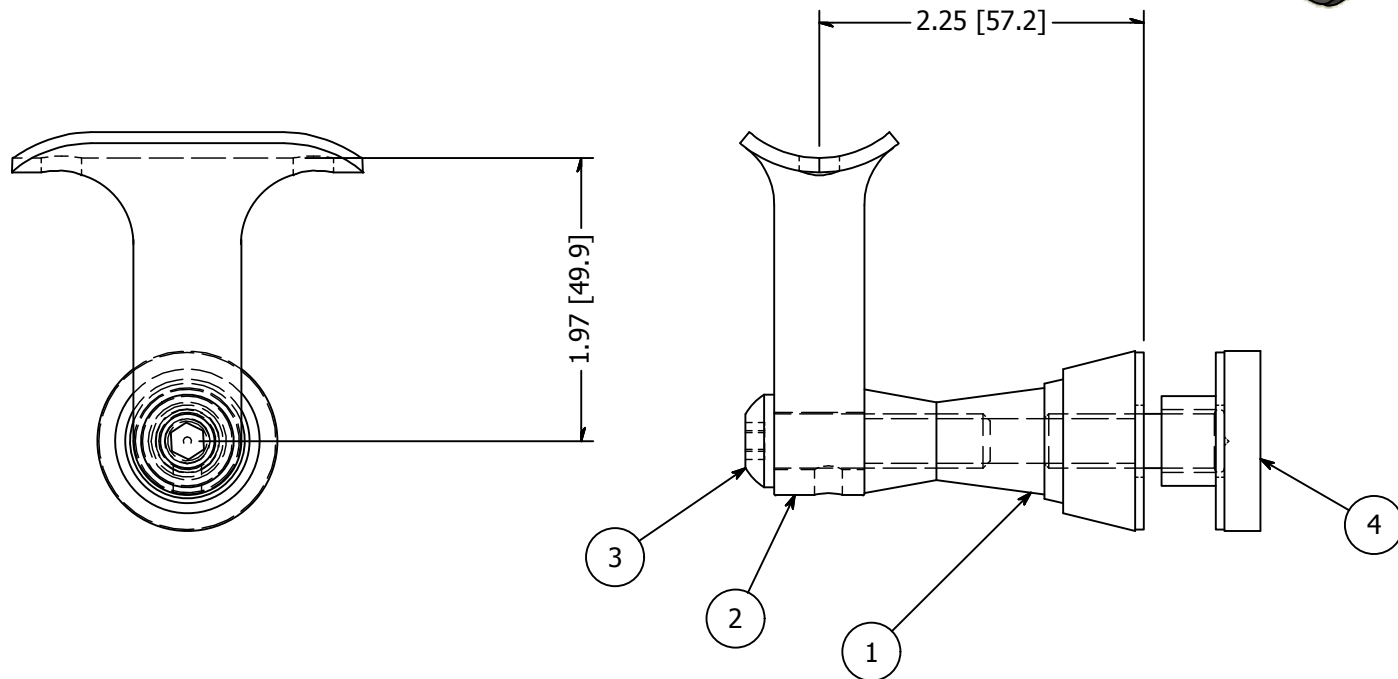
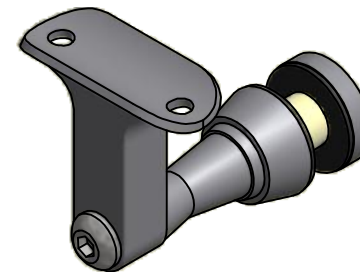
2



1

PARTS LIST

ITEM	QTY	PART NUMBER	DESCRIPTION
1	1	RS250	Handrail Bracket Arm, SS, 1-7/8 Inch Long, 3/8-16 Tapped Through, Type 304
2	1	S3502	Handrail Bracket Saddle And Vertical Arm, SS, Cast, #4 Satin Finish, Type 316
3	1	BAH3N3816-0150	SCREW, SS, 3/8-16 X 1.50 Inch, Button, Allen Head
4	1	GB3000K	GLASS ADAPTER KIT SS 1.25 #4 FOR 1/2 GLASS



REVISION HISTORY		
REV	DESCRIPTION	DATE
1	REMOVE SADDLE ASSEMBLY	1/22/2014

TOLERANCE FRACTION: X/XX..... = ± 1/16" over 4ft. 16 FT RAIL EXAMPLE: 16 FT / 4 FT = 4 * 1/16" = 1/4" 16 FT RAIL..... = ± 1/4" DECIMAL: X.XX..... = ± .030 X.XXX..... = ± .010 UNLESS OTHERWISE NOTED	FINISH: #4	DESCRIPTION: Handrail Bracket, SS, Glass Mount, 1/2 Inch, 2-1/2 Inch From Glass To Center			
	WEIGHT: 0.81 lbmass	MATERIAL: 304 Stainless	CUSTOMER NAME:		
	SIZE: A	DATE: 4/28/2014	THE WAGNER COMPANIES R & B WAGNER, INC. AND J. G. BRAUN CO.		
	DRAWN BY: K. Turdo				ITEM NUMBER: GB3253

2



1