

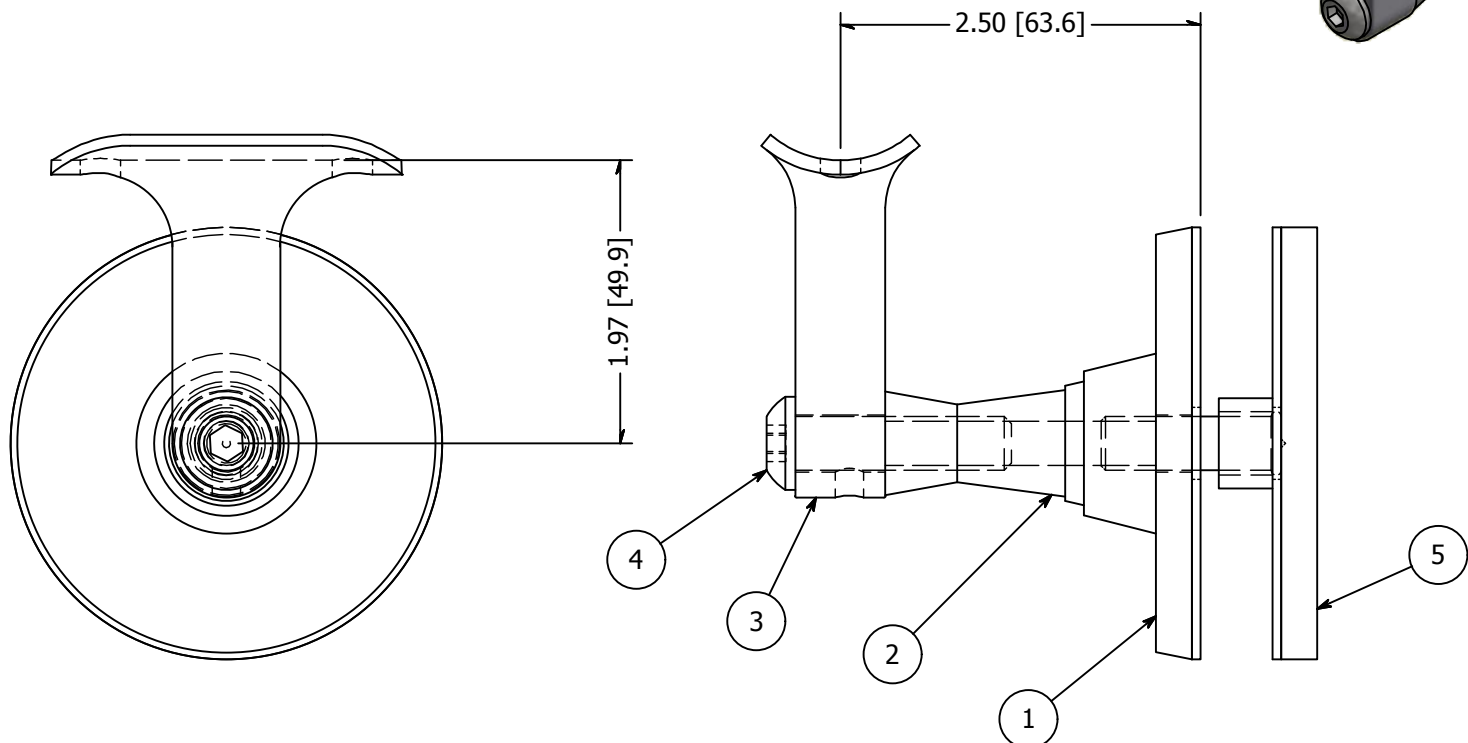
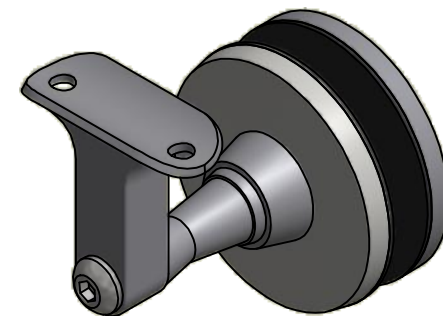
2



1

PARTS LIST

ITEM	QTY	PART NUMBER	DESCRIPTION
1	1	DS901	3" Round Backing Disk for Wall Mount
2	1	RS250	Handrail Bracket Arm, SS, 1-7/8 Inch Long, 3/8-16 Tapped Through, Type 304
3	1	S3502	Handrail Bracket Saddle And Vertical Arm, SS, Cast, #4 Satin Finish, Type 316
4	1	BAH3N3816-0150	SCREW, SS, 3/8-16 X 1.50 Inch, Button, Allen Head
5	1	GB4383K	GLASS MOUNT ADAPTER KIT SS #4



REVISION HISTORY		
REV	DESCRIPTION	DATE
1	REMOVE SADDLE ASSEMBLY	1/22/2014

TOLERANCE
FRACTION: X/XX..... = ± 1/16" over 4ft. 16 FT RAIL EXAMPLE: 16 FT / 4 FT = 4 * 1/16" = 1/4" 16 FT RAIL..... = ± 1/4"
DECIMAL: X.XX..... = ± .030 X.XXX..... = ± .010
UNLESS OTHERWISE NOTED

FINISH: #4
WEIGHT: 1.75 lbmass
SIZE: A

DESCRIPTION: Handrail Bracket, SS, Glass Mount, 1/2 Inch, 2-1/2 Inch From Glass To Center		CUSTOMER NAME:	
MATERIAL: 304 Stainless	DATE: 4/28/2014	 <b>THE WAGNER COMPANIES</b> R & B WAGNER, INC. AND J. G. BRAUN CO.	
DRAWN BY: K. Turdo	ITEM NUMBER: GB3251		
SHEET: 1 OF 1	DRAWING NUMBER: GB3251	REV: 1	

2



1