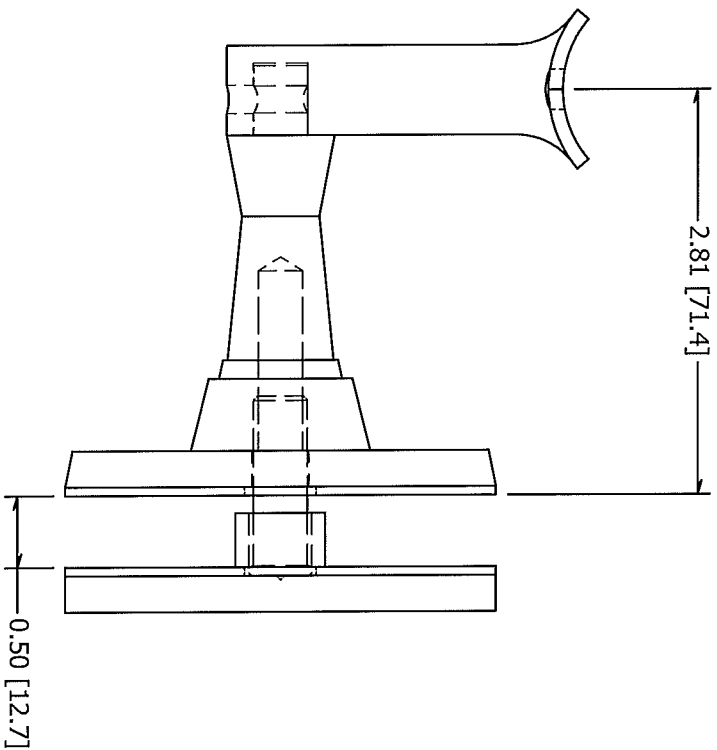
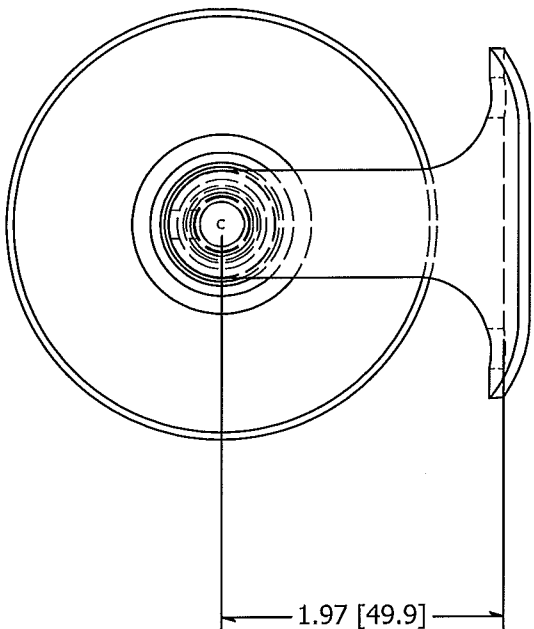
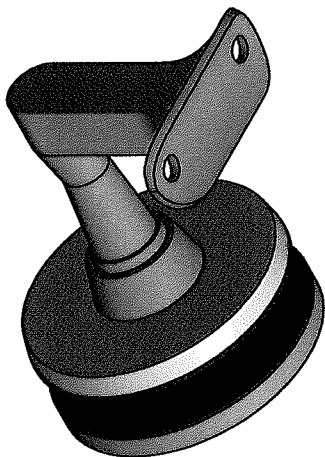


PARTS LIST

ITEM	QTY	PART NUMBER	DESCRIPTION
1	1	DS901	3" Round Backing Disk for Wall Mount
2	1	MB3250P	Handrail Bracket, SS, Post Mount, 2-1/2 Inch From Post to Center of Handrail
3	1	GB4383K	GLASS MOUNT ADAPTER KIT SS #4



TOLERANCE

FRACTION: X/XX..... = ± 1/16" over 4ft.  
 16 FT / 4 FT = 4 \* 1/16" = 1/4"  
 16 FT RAIL..... = ± 1/4"  
 DECIMAL: X.XX..... = ± .030  
 X.XXX..... = ± .010  
 UNLESS OTHERWISE NOTED

FINISH: #4

WEIGHT: 1.76 lbmass  
 SIZE: A

DESCRIPTION: Handrail Bracket, SS, Glass Mount, 1/2 Inch, 2-3/4 Inch From Glass To Center

MATERIAL: 316 Stainless  
 DATE: 10/22/2013  
 DRAWN BY: K. Turdo

CUSTOMER NAME:



THE WAGNER COMPANIES  
 R & B WAGNER, INC. AND J. G. BRAUN CO.

ITEM NUMBER: GB3250

SHEET: 1 OF 1

DRAWING NUMBER: GB3250

REV: -

A

B

A

B