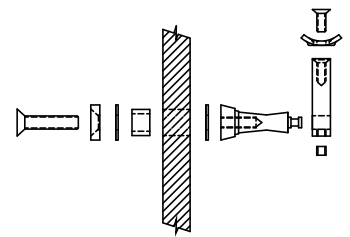
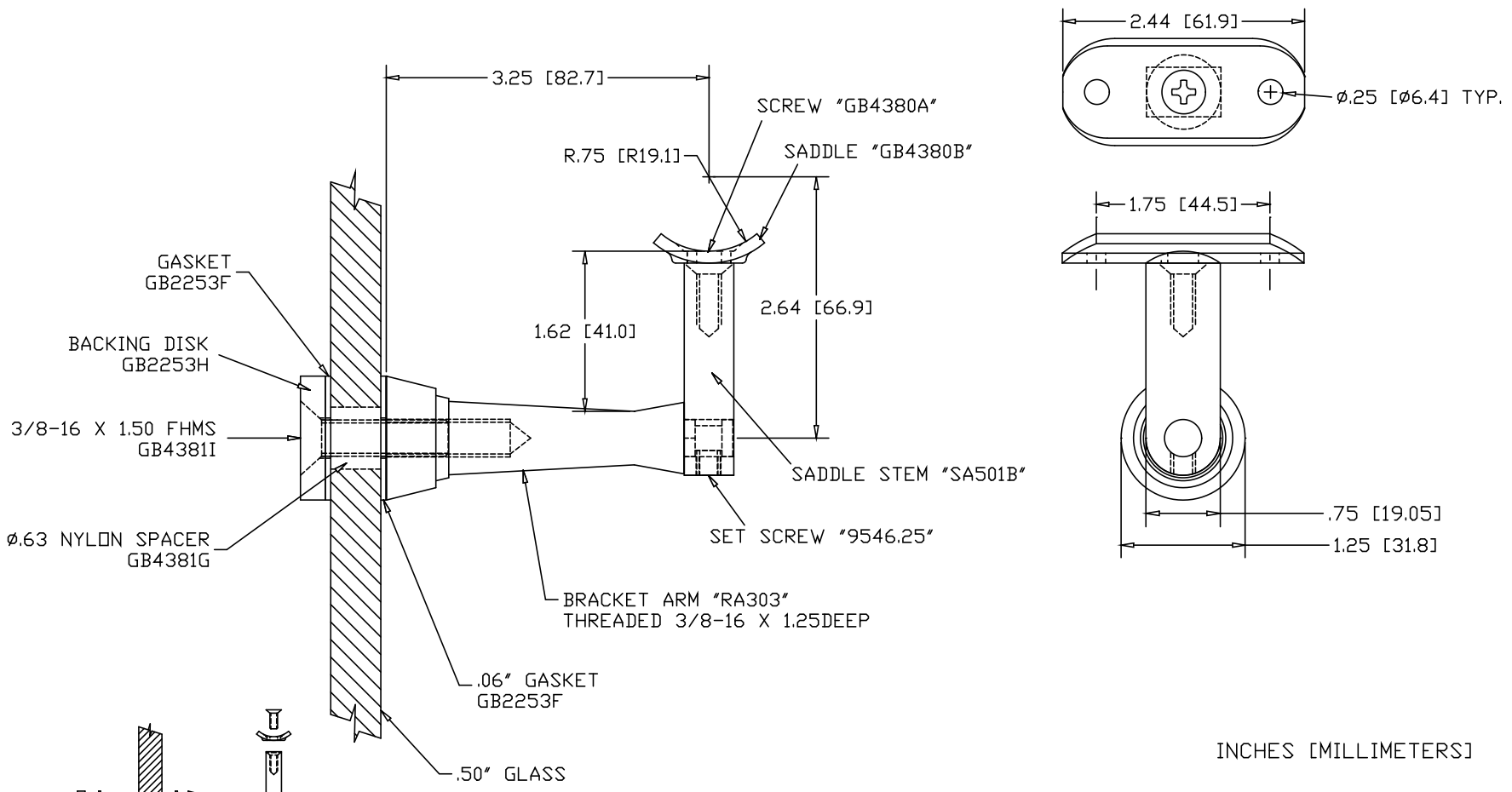


REVISIONS			
REV	DESCRIPTION	DATE	APPROVED
A	3.25 WAS 2.62	02/28/08	RJF



PART NAME		MACHINED ALUM. BRACKET, SM. GLASS MOUNT KIT	
MATERIAL		6063 ALUMINUM	
DATE	1/24/07		THE WAGNER COMPANIES R & B WAGNER, INC. AND J. G. BRAUN CO.
DRAWN BY	RDC		
FINISH	#4 SATIN	SIZE	A
		WEIGHT	
		PART NUMBER	GB2304
		REV	A