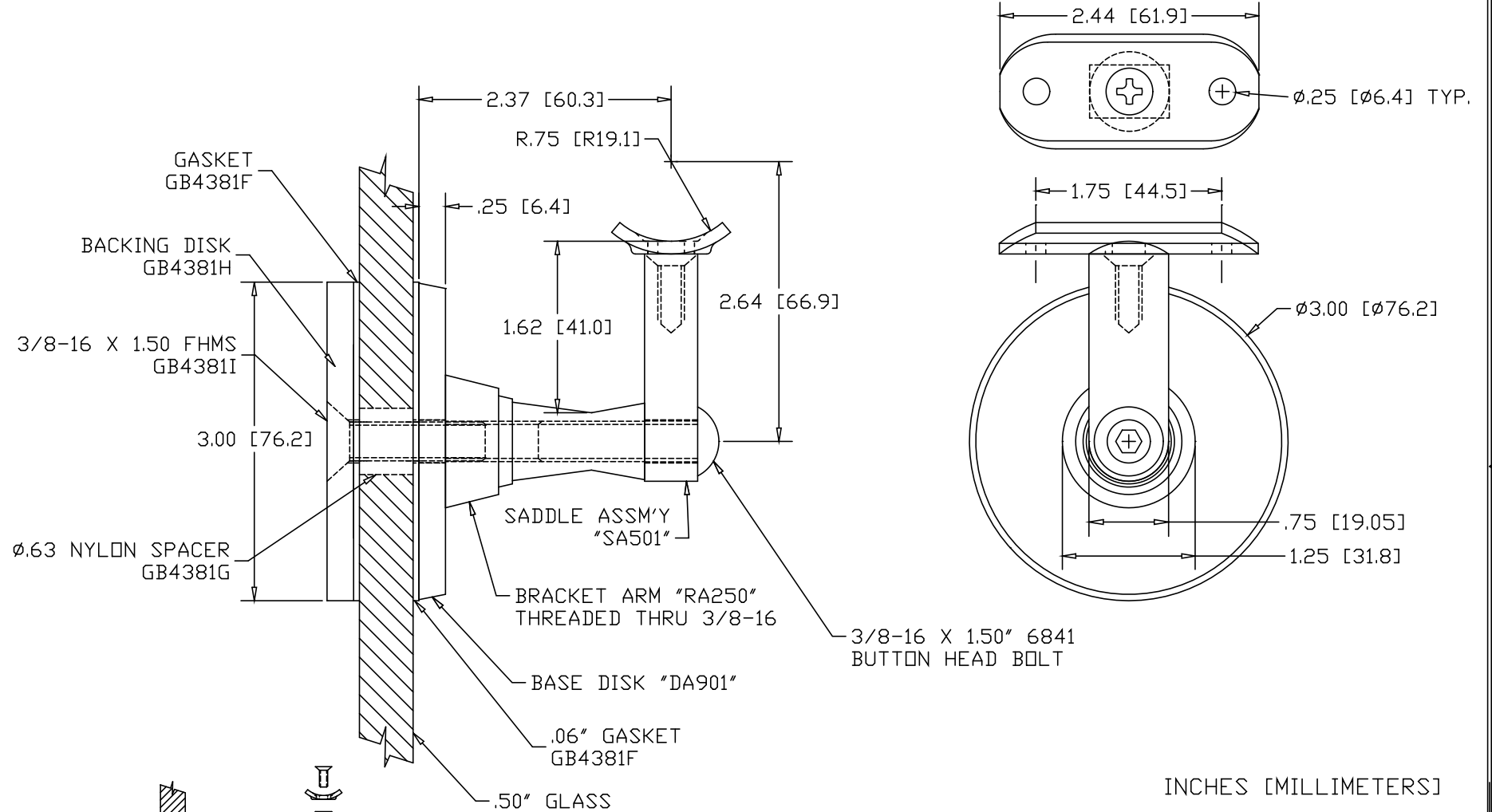
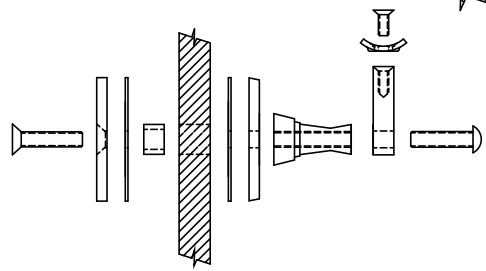


REVISIONS			
REV	DESCRIPTION	DATE	APPROVED
B	BOLT WAS 2.00" LG	04/20/06	RJF



INCHES [MILLIMETERS]



EXPLODED VIEW

PART NAME		MACHINED BRACKET, GLASS MOUNT	
MATERIAL		6063 ALUMINUM	
DATE	9/15/03		THE WAGNER COMPANIES R & B WAGNER, INC. AND J. G. BRAUN CO.
DRAWN BY	RJF		
FINISH	#6 SATIN	SIZE	A
		WEIGHT	
		PART NUMBER	GB2251
		REV	B