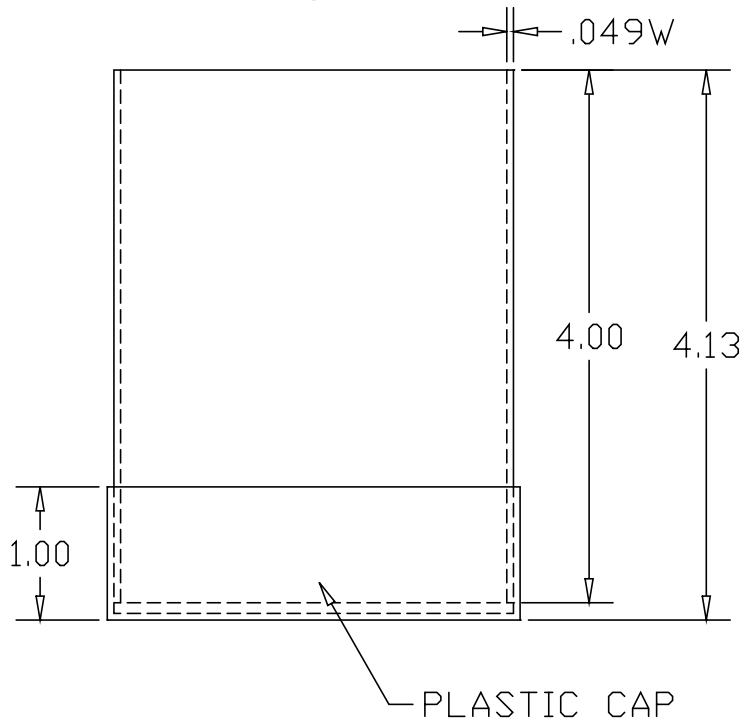
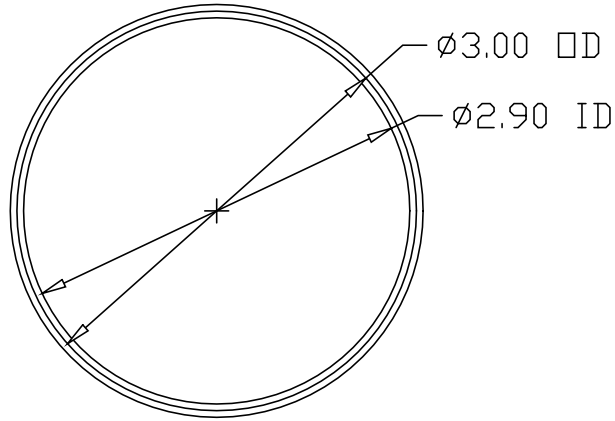



REV
SH
DWG NO G34-SNC

| REVISIONS | | | |
|-----------|-------------|------|----------|
| REV | DESCRIPTION | DATE | APPROVED |



| | | | | |
|------------|-----------|---|------------------------|-----|
| PART NAME | | 3.00" OD X 6.00" LONG POST SLEEVE | | |
| MATERIAL | | 3.00" OD X 18 GA. (.049W) STEEL TUBE | | |
| DATE | 11/20/97 |  THE WAGNER COMPANIES R & B WAGNER, INC. AND J. G. BRAUN CO. | | |
| DRAWN BY | RJF | | | |
| FINISH | | | | |
| GALVANIZED | SIZE A | WEIGHT .51 LBS | PART NUMBER G34-SNC | REV |