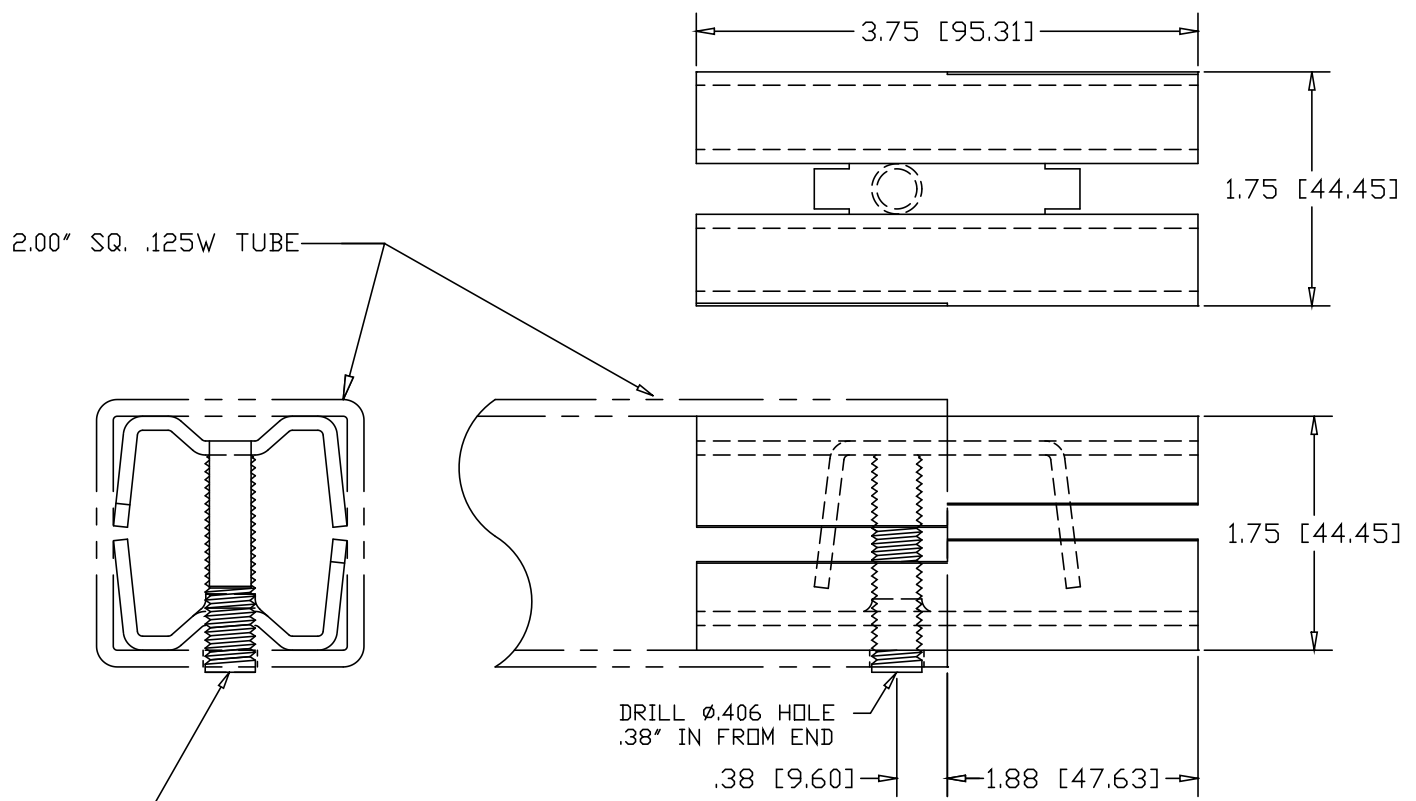
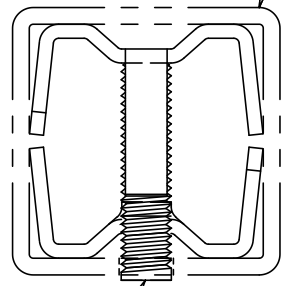


REVISIONS			
REV	DESCRIPTION	DATE	APPROVED



2.00" SQ. .125W TUBE




3/8-16 SOCKET HEAD SET-SCREW X 1-5/8" LONG

DRILL Ø.406 HOLE .38" IN FROM END

INCHES [MILLIMETERS]

ALTERNATE MATERIAL	PART NO.
12 GA. STEEL HOT DIP GALVANIZED	G3341-4
12 GA. STEEL ZINC PLATED	PL3341-4
.090 (3003) ALUMINUM ASTM B209	3344-4
.090 (304) STAINLESS STEEL ASTM A240	3347-4

PART NAME		2.00" SQ. .125W TUBE SINGLE-LOCK SPLICE-LOCK					
MATERIAL		12 GA. HRP&D STEEL ASTM A569					
DATE	9/25/01	 R & B WAGNER, INC.					
DRAWN BY	JAH						
FINISH	MILL						
SIZE	A	WEIGHT	.62 LBS	PART NUMBER	3341-4	REV	