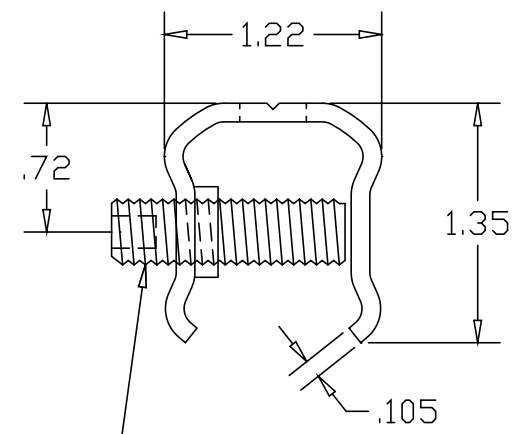
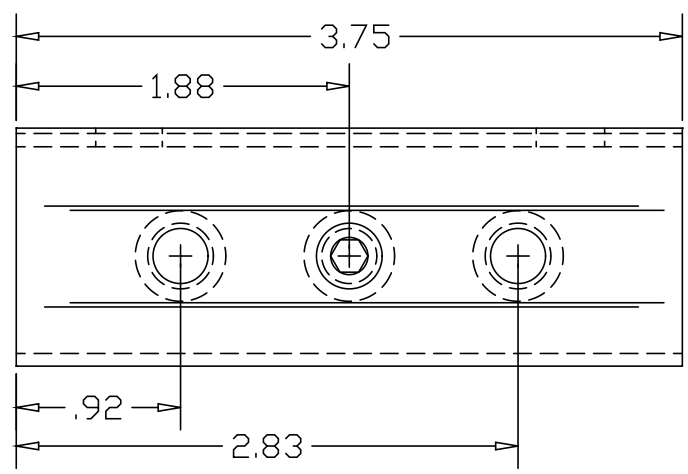
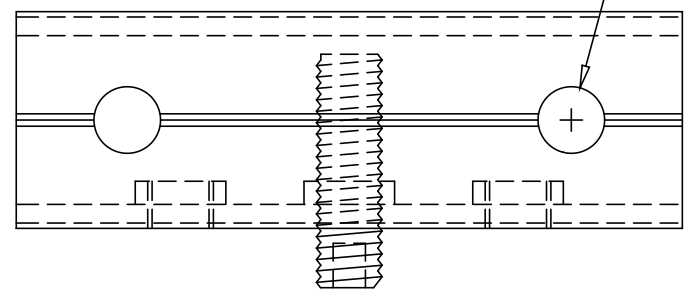



REVISIONS			
REV	DESCRIPTION	DATE	APPROVED

Ø.375 (2) PLACES
FOR MFR ONLY



3/8-16 X 1.38
SOCKET SET-SCREW

PART NAME 1-1/2" SCH 40 SINGLE LOCK ONE PIECE SPLICE LOCK			
MATERIAL			
DATE	08/12/09	 THE WAGNER COMPANIES R & B WAGNER, INC. AND J. G. BRAUN CO.	PART NUMBER G3318S
DRAWN BY	PWH		
FINISH			
SIZE	A	WEIGHT	.36 LBS
		REV	A