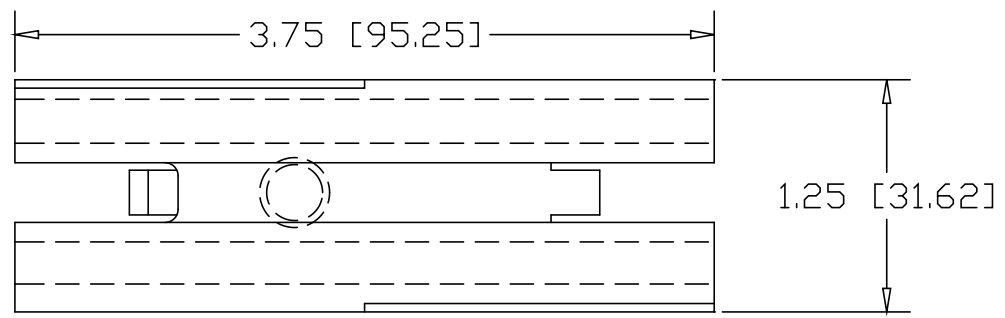
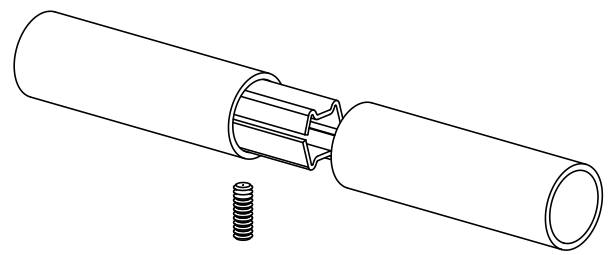
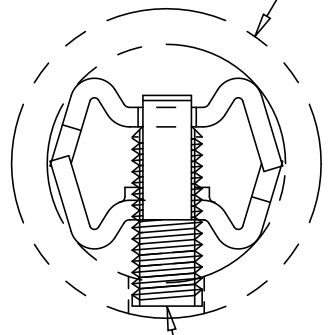


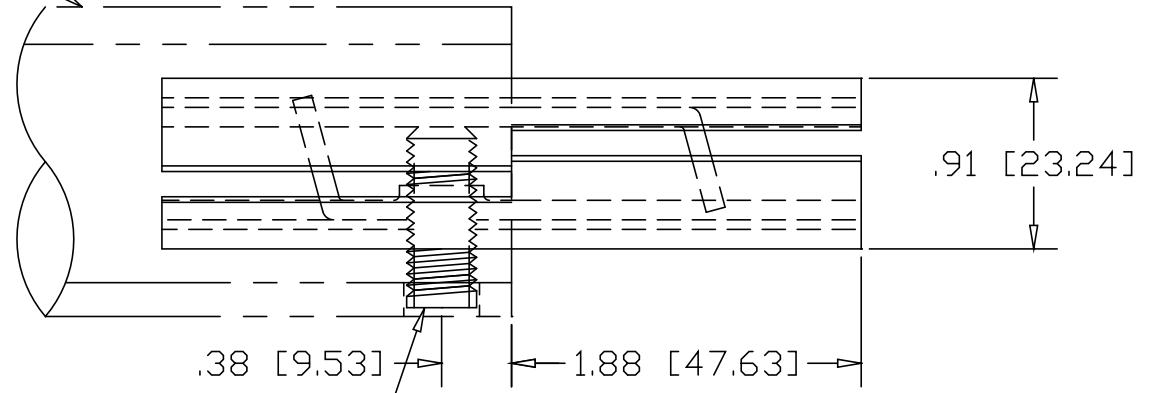
REVISIONS			
REV	DESCRIPTION	DATE	APPROVED



1-1/4" SCHEDULE 80 PIPE
(1.66 O.D. X .191 WALL)




3/8-16 SOCKET HEAD
SET-SCREW



DRILL ϕ .406 HOLE
.38" IN FROM END

INCHES [MILLIMETERS]

ALTERNATE MATERIAL	PART NO.
.090 (3003) ALUMINUM ASTM B209	G3316
.090 (304) STAINLESS STEEL ASTM A240	PL3316

PART NAME		1-1/4" SCH80 PIPE SINGLE-LOCK SPLICE-LOCK			
MATERIAL		12 GA. HRP&D STEEL ASTM A569			
DATE	3/22/93	 THE WAGNER COMPANIES R & B WAGNER, INC. AND J. G. BRAUN CO.			
DRAWN BY	RJF				
FINISH	MILL	SIZE	WEIGHT	PART NUMBER	REV
		A	.43 LBS	3316	