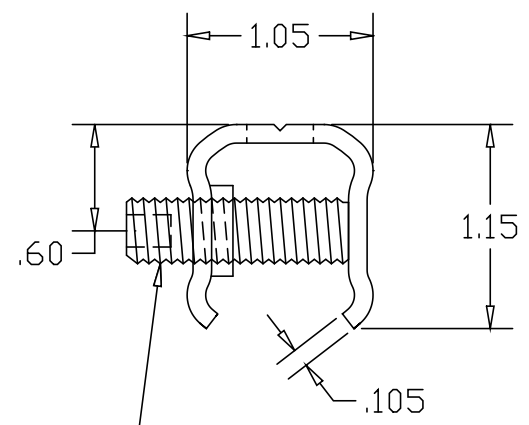
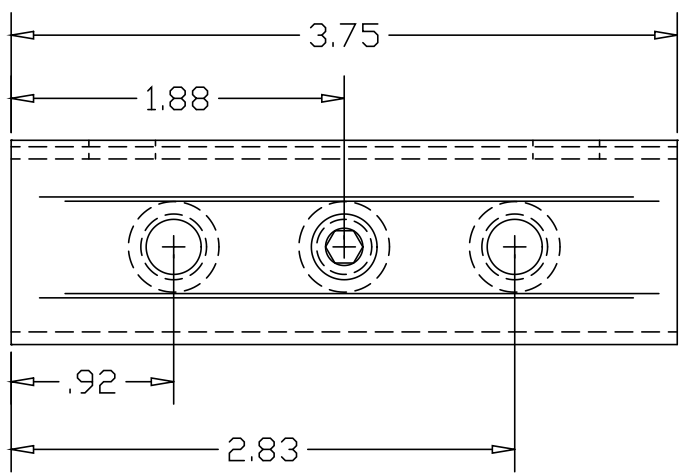
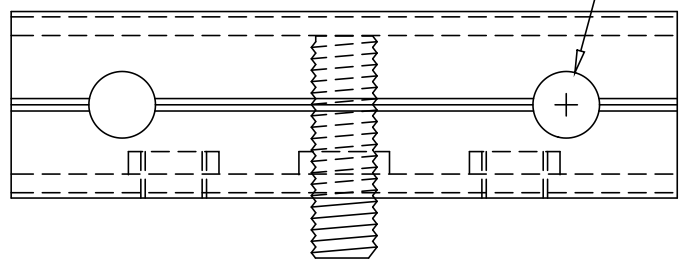



REVISIONS			
REV	DESCRIPTION	DATE	APPROVED

Ø.375 (2) PLACES  
FOR MFR ONLY



3/8-16 X 1.25  
SOCKET SET-SCREW

PART NAME 1-1/4" SCH 40 SINGLE LOCK ONE PIECE SPLICE LOCK			
MATERIAL			
DATE	08/12/09		<b>THE WAGNER COMPANIES</b> R & B WAGNER, INC. AND J. G. BRAUN CO.
DRAWN BY	PWH		
FINISH	AS STAMPED	SIZE	A
		WEIGHT	.30 LBS
		PART NUMBER	G3314S
		REV	A