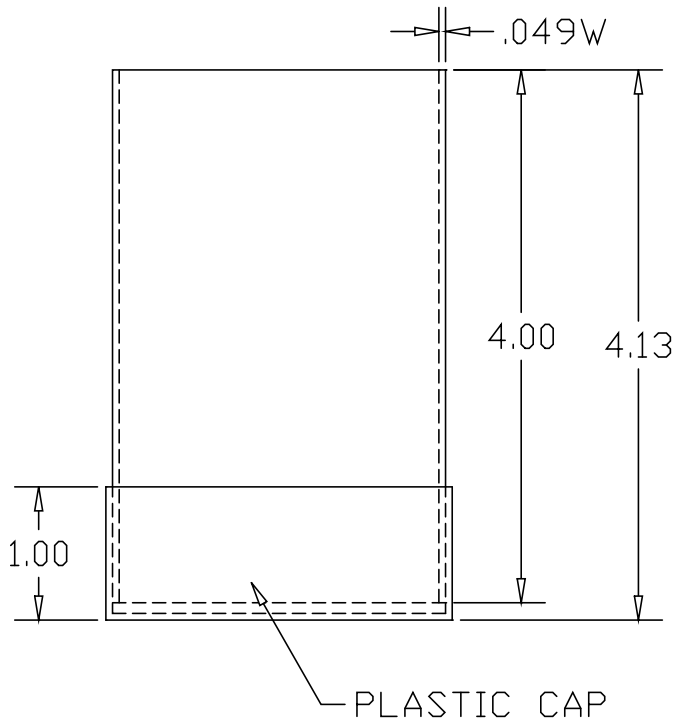
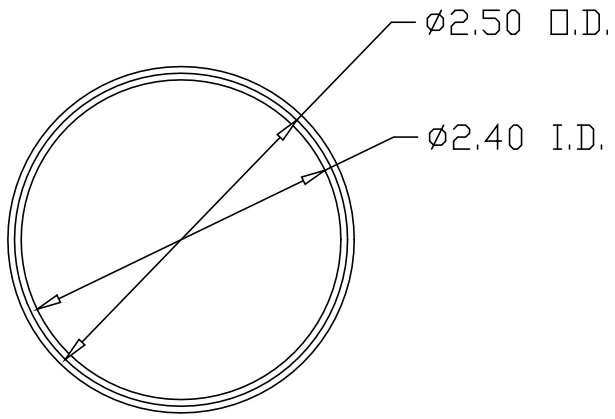



REV  
SH  
DWG NO G254-SNC

REVISIONS			
REV	DESCRIPTION	DATE	APPROVED



PART NAME		2.50" OD X 4.00" LONG POST SLEEVE		
MATERIAL		2.50" OD X 18 GA. (.049W) STEEL TUBE		
DATE	11/20/97		<b>THE WAGNER COMPANIES</b> R & B WAGNER, INC. AND J. G. BRAUN CO.	
DRAWN BY	RJF			
FINISH	GALVANIZED	SIZE	WEIGHT	PART NUMBER
		A	.41 LBS	G254-SNC
				REV