

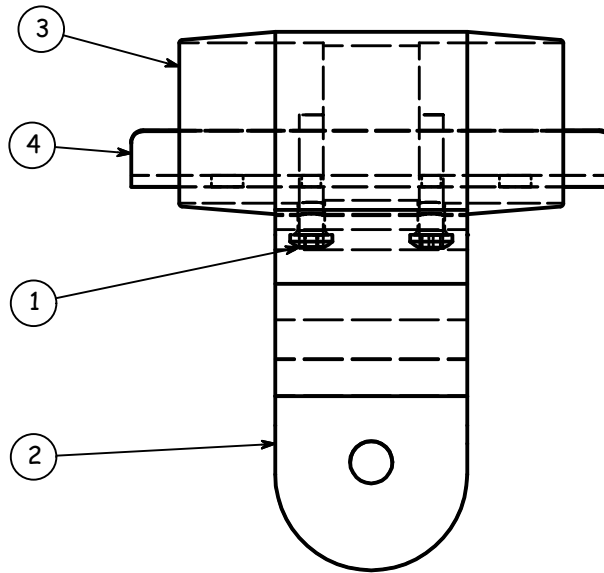
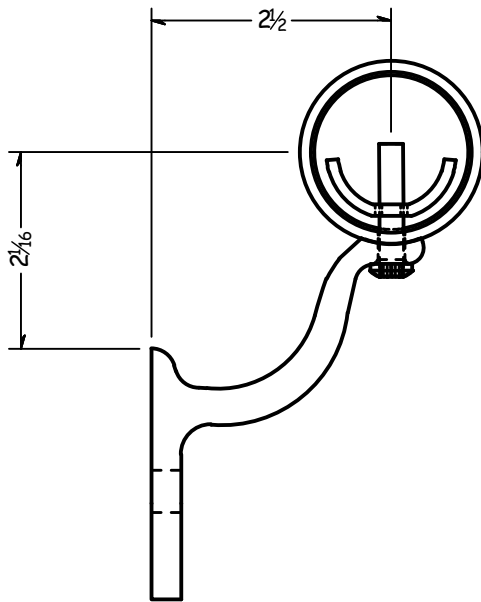
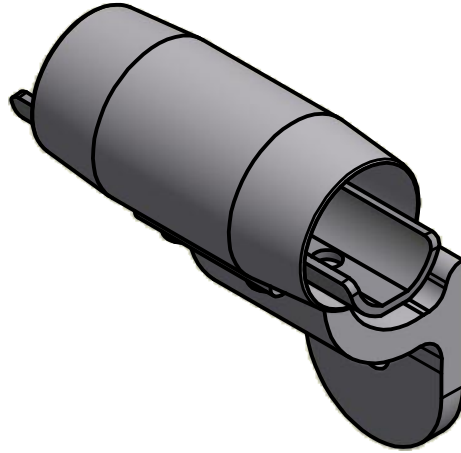
2



1

PARTS LIST

| ITEM | QTY | PART NUMBER | DESCRIPTION |
|------|-----|----------------|---|
| 1 | 2 | BAH3N2520-0125 | SCREW SS 1/4-20 X 1.25 BUTTON ALLEN HEAD |
| 2 | 1 | ER8104 | EXTRUDED HANDRAIL BRACKET ROUND BASE, 2.5 |
| 3 | 1 | WR2166SFB3 | BRACKET SLIP FIT BARREL ALUMINUM MOUNT |
| 4 | 1 | WR3166SFC3 | SS SLIP FIT CLAMP FOR EXTRUDED AL BRACKET |



| | | | | | |
|---|-------------|---|----------------|---|------|
| TOLERANCE FRACTION: X/XX..... = ± 1/16" over 4ft. 16 FT RAIL EXAMPLE: 16 FT / 4 FT = 4 * 1/16" = 1/4" 16 FT RAIL..... = ± 1/4" DECIMAL: X.XX..... = ± .030 X.XXX..... = ± .010 UNLESS OTHERWISE NOTED | FINISH: | DESCRIPTION: ALUMINUM SLIP FIT WITH 2.5 IN CENTERLINE | | | |
| | #4 Satin | MATERIAL: | CUSTOMER NAME: | | |
| | WEIGHT: | DATE: | | THE WAGNER COMPANIES R & B WAGNER, INC. AND J. G. BRAUN CO. | |
| | 0.92 lbmass | 10/13/2011 | | | |
| SIZE: | DRAWN BY: | ITEM NUMBER: | SHEET: | DRAWING NUMBER: | REV: |
| A | | ER8104SF | 1 OF 1 | ER8104SF | 1 |

2



1