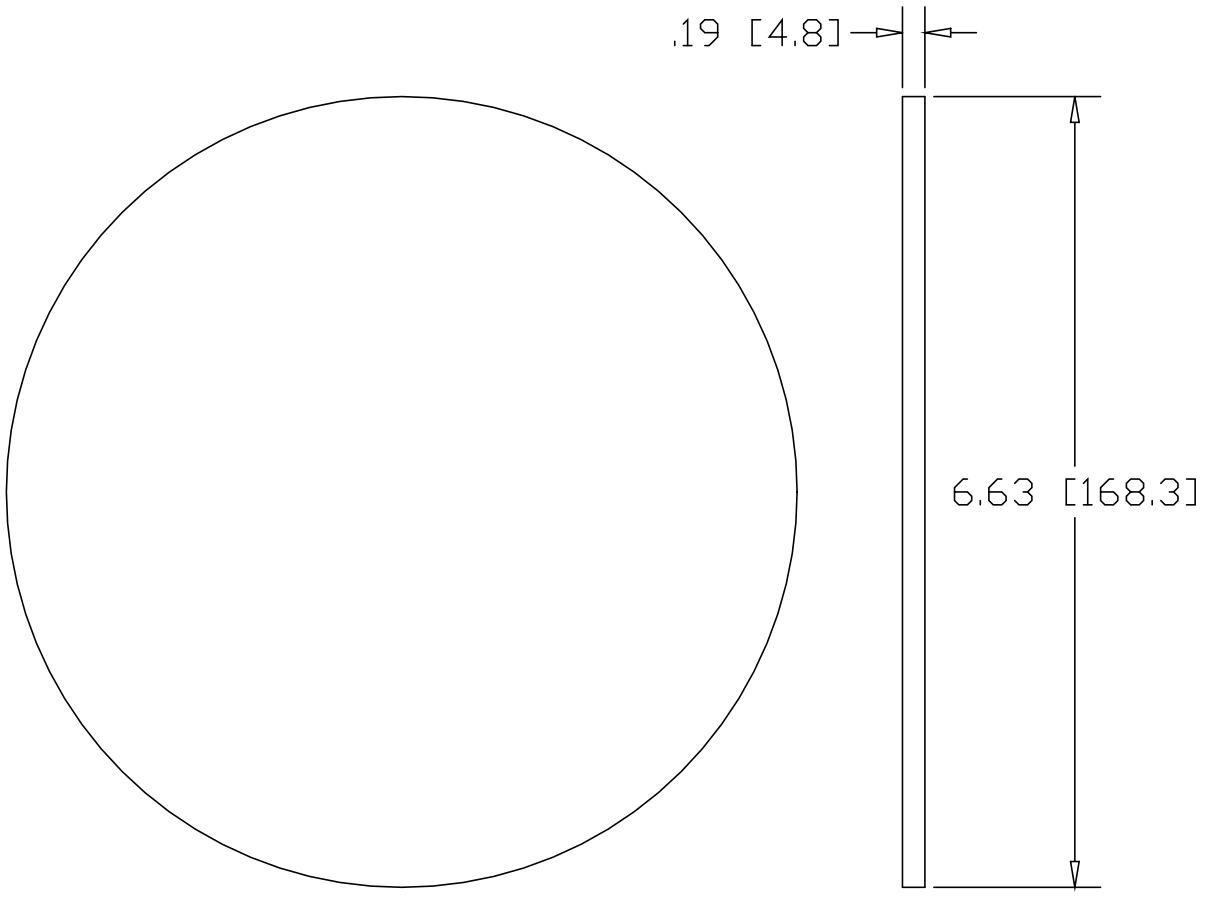



REV
SH
D345
DWG NO

| REVISIONS | | | |
|-----------|-------------|------|----------|
| REV | DESCRIPTION | DATE | APPROVED |



INCHES [MILLIMETERS]

| ALTERNATE MATERIAL | PART NUMBER |
|------------------------------------|-------------|
| .190 (3003) ALUMINUM ASTM B209 | D346 |
| 7 GA 304 STAINLESS STEEL ASTM A240 | D347 |
| .188 (260) BRASS ASTM B19,B36 | D345B |

| | | | |
|--|---|---|-----|
| PART NAME 6.63" OD TUBE SIZE TYPE-D WELD-ON DISK | | | |
| MATERIAL 7 GA. HRP&O STEEL ASTM A569 | | | |
| DATE 11/20/98 |  | THE WAGNER COMPANIES R & B WAGNER, INC. AND J. G. BRAUN CO. | |
| DRAWN BY RJF | | | |
| FINISH MILL | | | |
| SIZE A | WEIGHT 1.76 LBS | PART NUMBER D345 | REV |