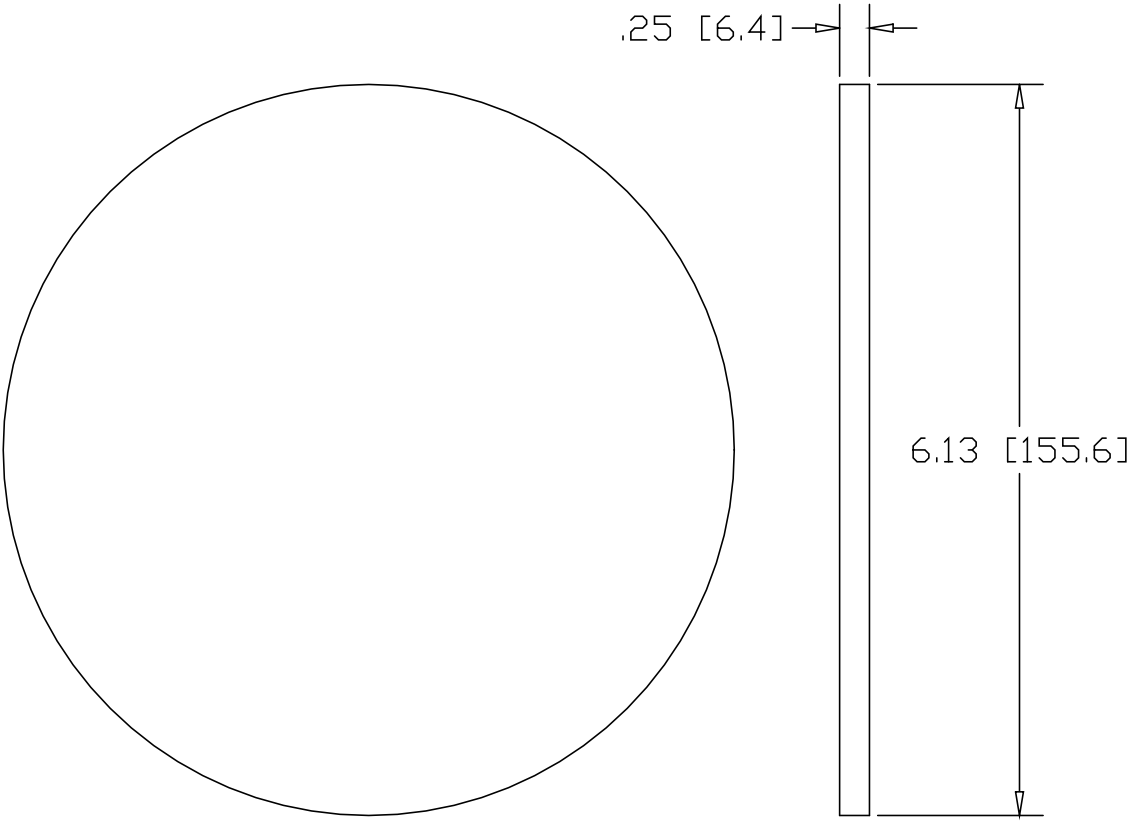



REV
SH
D338
DWG NO

REVISIONS			
REV	DESCRIPTION	DATE	APPROVED



INCHES [MILLIMETERS]

ALTERNATE MATERIAL	PART NUMBER
.250 (3003) ALUMINUM ASTM B209	D339
.250 (304) STAINLESS STEEL ASTM A240	D340
.250 (260) BRASS ASTM B19,B36	D341

PART NAME		6.13" OD TUBE SIZE TYPE-D WELD-ON DISK					
MATERIAL		.250 HRP&D STEEL ASTM A569					
DATE	11/20/98	 THE WAGNER COMPANIES R & B WAGNER, INC. AND J. G. BRAUN CO.					
DRAWN BY	RJF						
FINISH	MILL						
SIZE	A	WEIGHT	2.07 LBS	PART NUMBER	D338	REV	