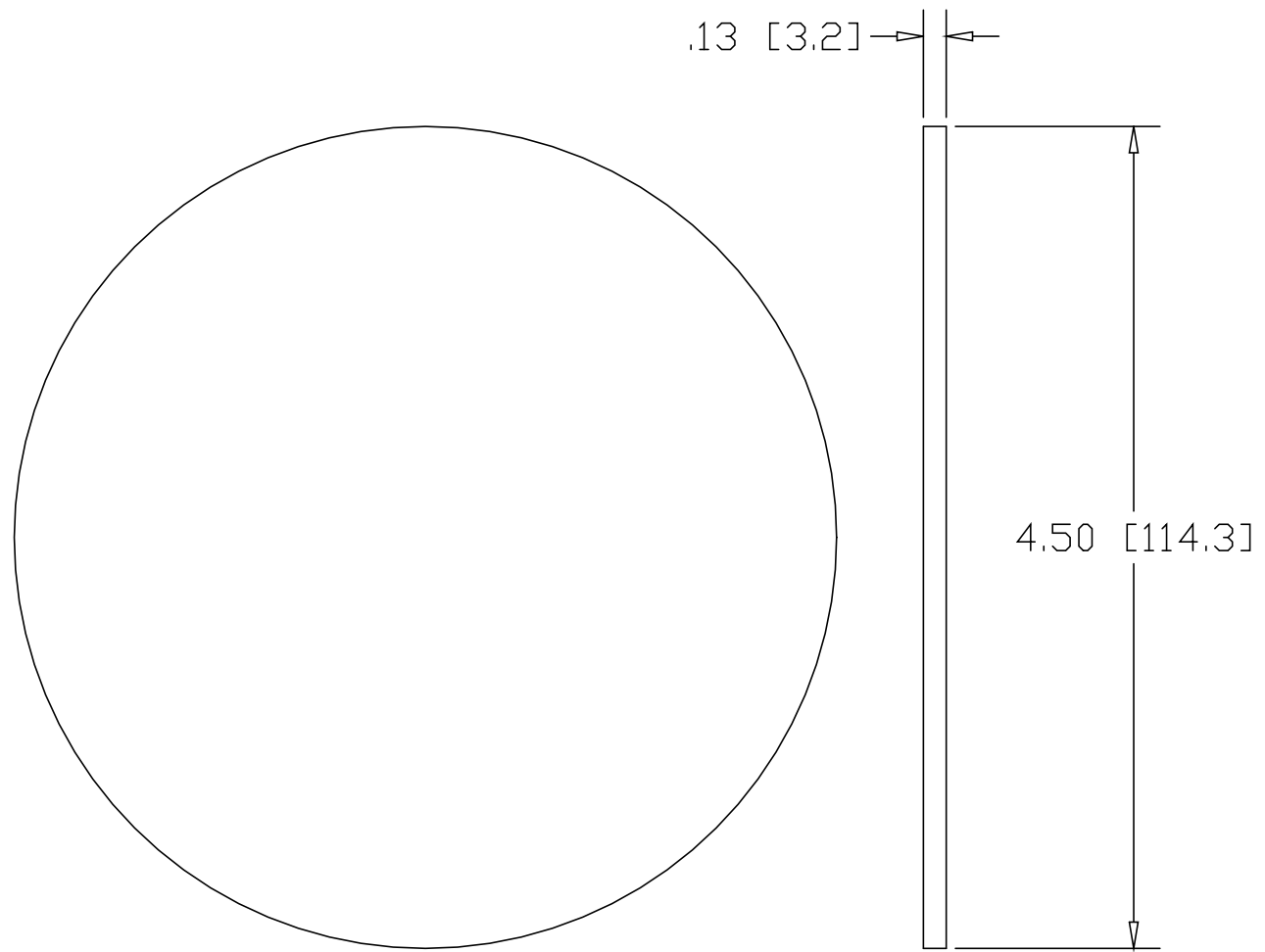



REV
SH
D240
DWG NO

REVISIONS			
REV	DESCRIPTION	DATE	APPROVED



INCHES [MILLIMETERS]

ALTERNATE MATERIAL	PART NUMBER
.125 (3003) ALUMINUM ASTM B209	D241
10 GA. (304) STAINLESS STEEL ASTM A240	D242
.125 (260) BRASS ASTM B19,B36	D242D

PART NAME		4.50" OD TUBE SIZE TYPE-D WELD-ON DISK					
MATERIAL		10 GA. HRP&O STEEL ASTM A569					
DATE	11/20/98	 THE WAGNER COMPANIES R & B WAGNER, INC. AND J. G. BRAUN CO.					
DRAWN BY	RJF						
FINISH	MILL						
SIZE	A	WEIGHT	.57 LBS	PART NUMBER	D240	REV	