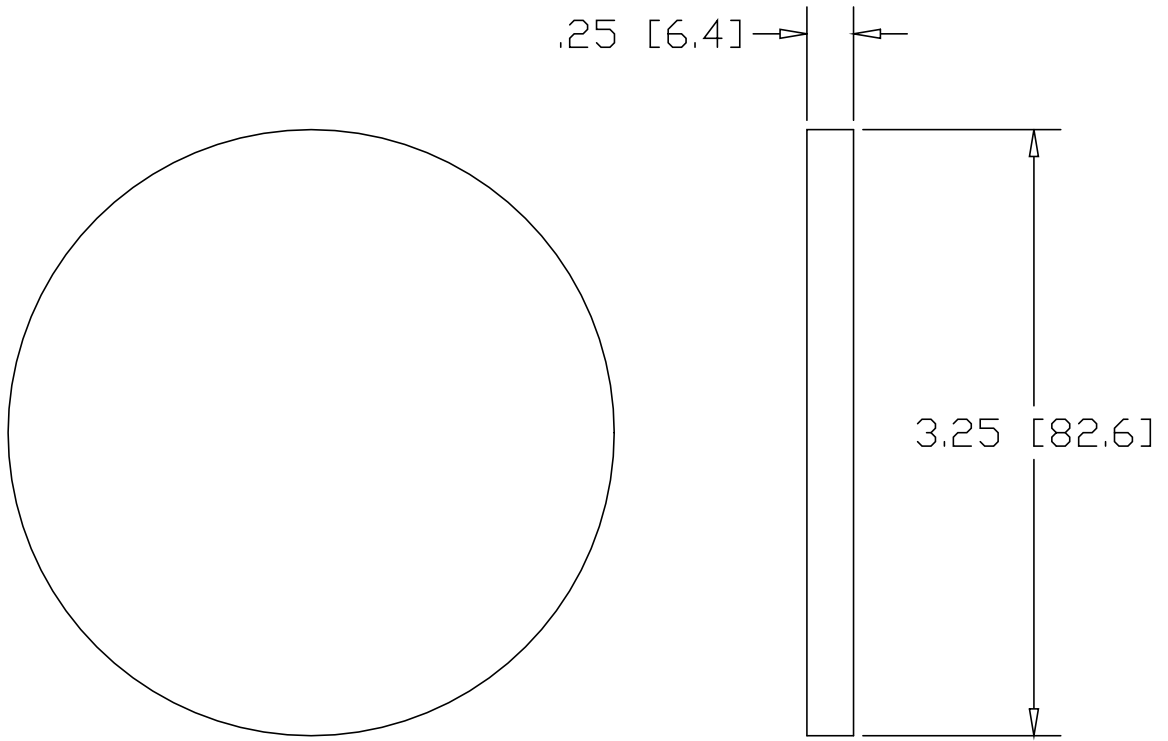



REV
SH
D158
DWG NO

REVISIONS			
REV	DESCRIPTION	DATE	APPROVED



INCHES[MILLIMETERS]

ALTERNATE MATERIAL	PART NUMBER
.250 (3003) ALUMINUM ASTM B209	D159
.250 (304) STAINLESS STEEL ASTM A240	D160
.250 (260) BRASS ASTM B19,B36	D161

PART NAME		3.25" OD TUBE SIZE TYPE-D WELD-ON DISK					
MATERIAL		.250 HRP&□ STEEL ASTM A569					
DATE	11/20/98	 THE WAGNER COMPANIES R & B WAGNER, INC. AND J. G. BRAUN CO.					
DRAWN BY	RJF						
FINISH	MILL						
SIZE	A	WEIGHT	.55 LBS	PART NUMBER	D158	REV	