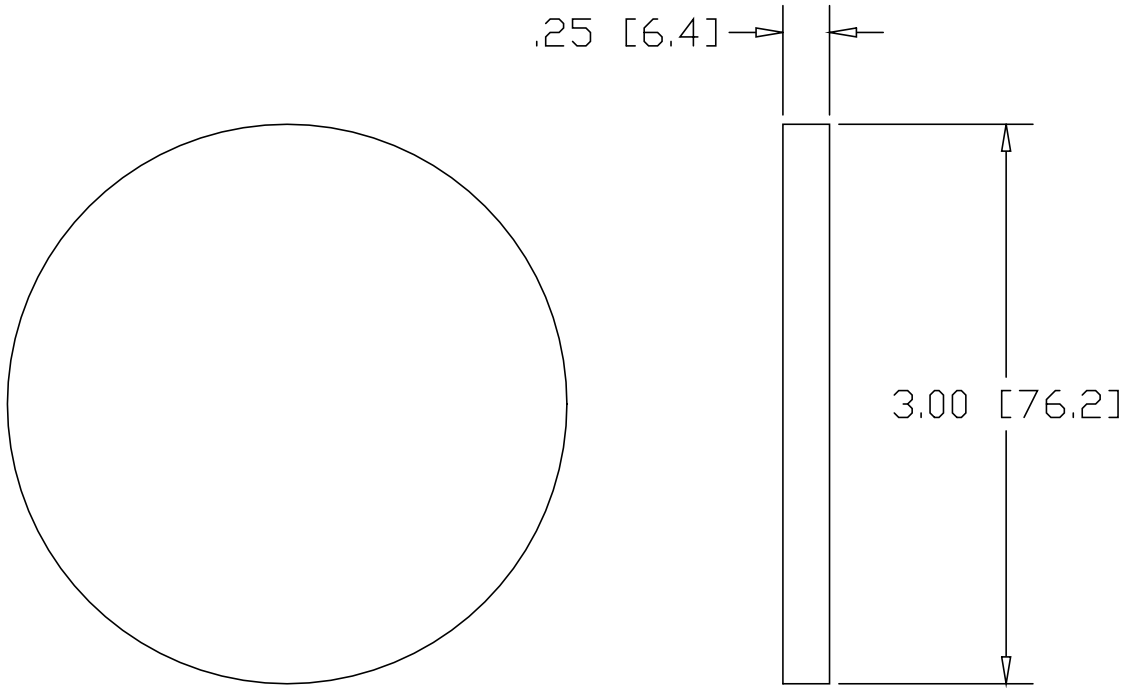



REV  
SH  
D143  
DWG NO

REVISIONS			
REV	DESCRIPTION	DATE	APPROVED



INCHES[MILLIMETERS]

ALTERNATE MATERIAL	PART NUMBER
.250 (3003) ALUMINUM ASTM B209	D144
.250 (304) STAINLESS STEEL ASTM A240	D145
.250 (260) BRASS ASTM B19,B36	D146
.250 (280) MUNTZ METAL	D146M

PART NAME 3.00" OD TUBE SIZE TYPE-D WELD-ON DISK			
MATERIAL .250 HRP&D STEEL ASTM A569			
DATE 11/20/98		<b>THE WAGNER COMPANIES</b> R & B WAGNER, INC. AND J. G. BRAUN CO.	
DRAWN BY RJF			
FINISH MILL			
SIZE A	WEIGHT .5 LBS	PART NUMBER D143	REV