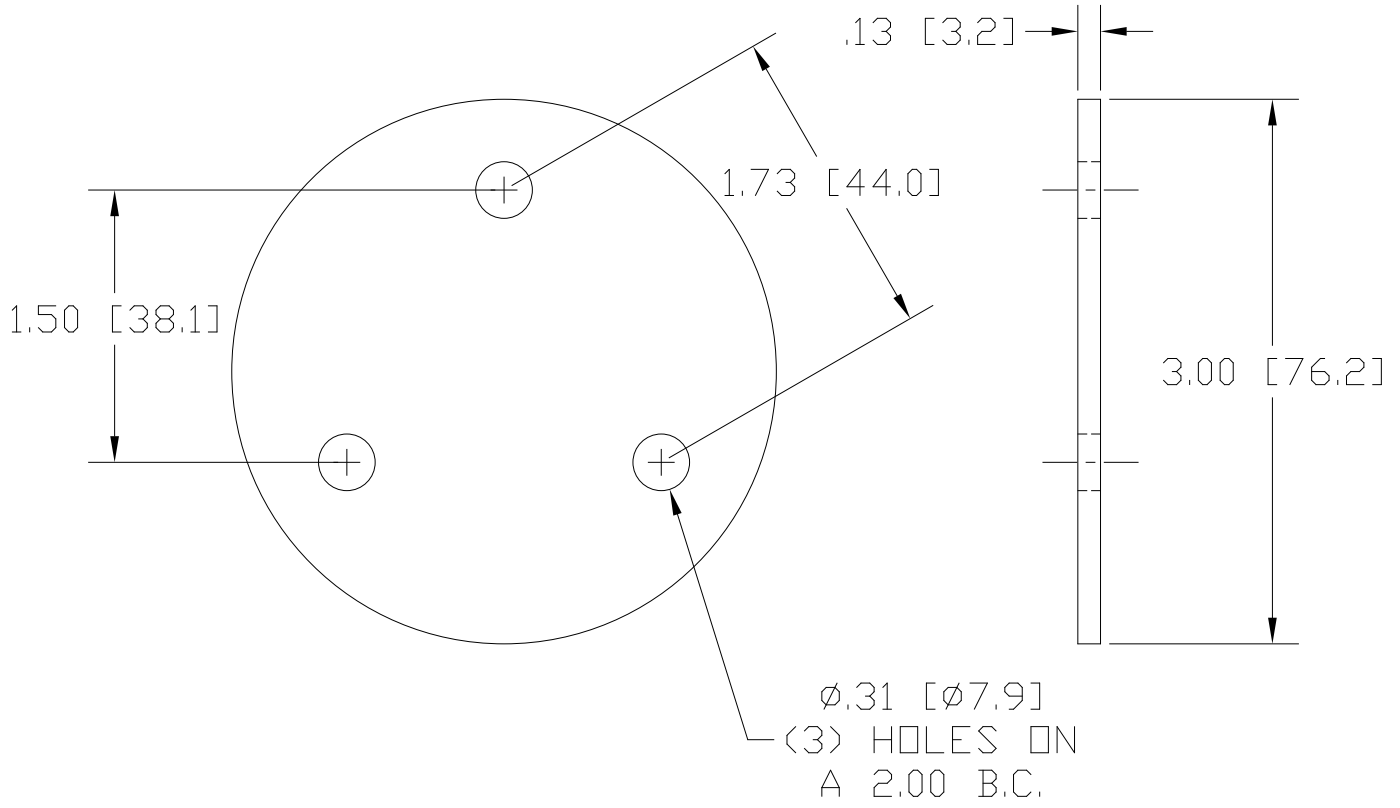



REV
SH
DWG NO D135H

REVISIONS			
REV	DESCRIPTION	DATE	APPROVED



INCHES[MILLIMETERS]

ALTERNATE MATERIAL	PART NUMBER
.125 (3003) ALUMINUM ASTM B209	D136H
10 GA. (304) STAINLESS STEEL ASTM A240	D137H

PART NAME 3.00" BASE DISK WITH (3) MTG HOLES					
MATERIAL 10 GA. HRP&D STEEL ASTM A569					
DATE	11/20/98	 THE WAGNER COMPANIES R & B WAGNER, INC. AND J. G. BRAUN CO.			
DRAWN BY	RJF				
FINISH	MILL				
SIZE	A	WEIGHT	.25 LBS	PART NUMBER	D135H
				REV	