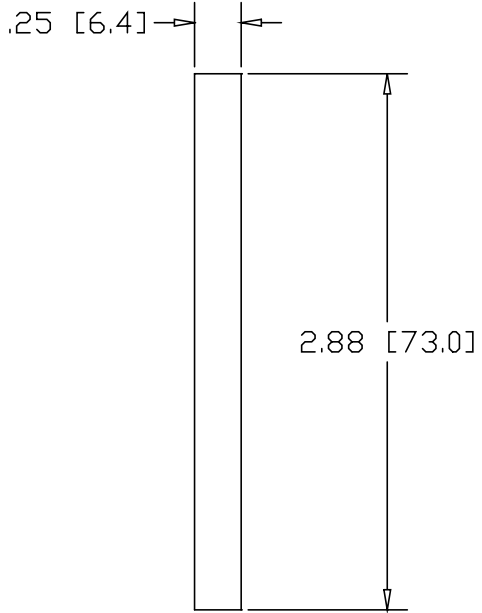
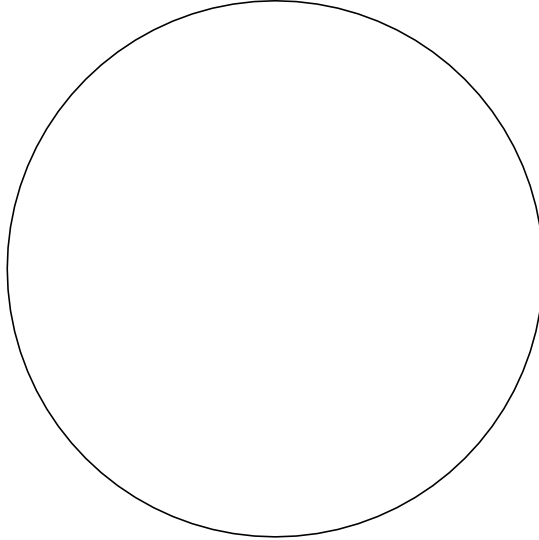
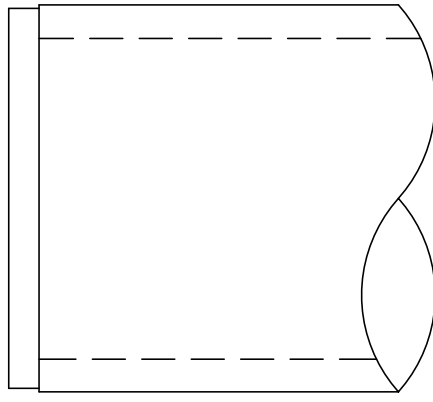
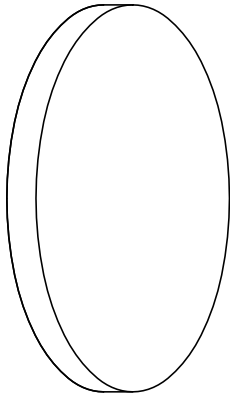



REV
SH
D134-1
DWG NO

REVISIONS			
REV	DESCRIPTION	DATE	APPROVED



INCHES [MILLIMETERS]

ALTERNATE MATERIAL	PART NUMBER
.250 (3003) ALUMINUM ASTM B209	D134-2
.250 (304) STAINLESS STEEL ASTM A240	D134-3
.250 (260) BRASS ASTM B19,B36	D134-4

PART NAME		2 1/2" PIPE SIZE TYPE-D WELD-ON DISK					
MATERIAL		.250 HRP&D STEEL ASTM A569					
DATE	10/11/96	 THE WAGNER COMPANIES R & B WAGNER, INC. AND J. G. BRAUN CO.					
DRAWN BY	RJF						
FINISH	MILL						
SIZE	A	WEIGHT	.42 LBS	PART NUMBER	D134-1	REV	