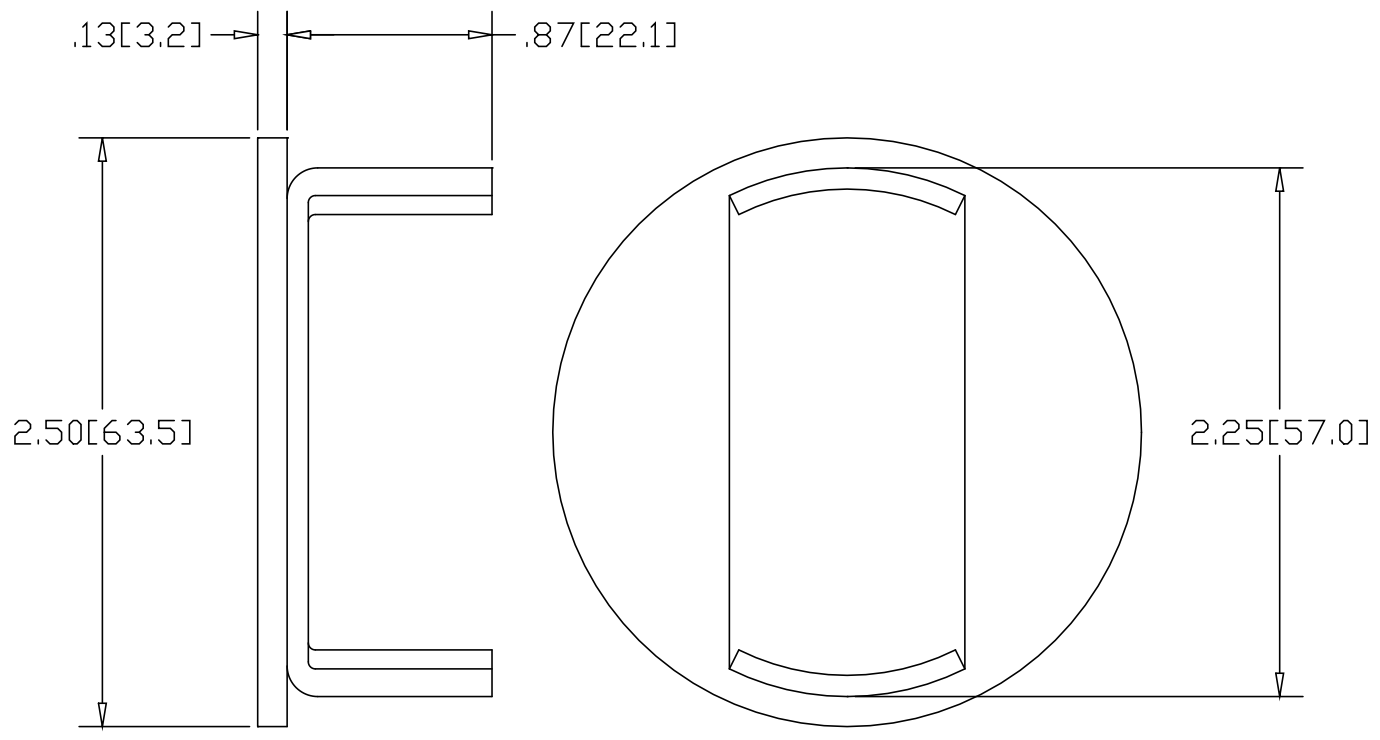



REV
SH
DWG NO D120E

REVISIONS			
REV	DESCRIPTION	DATE	APPROVED



INCHES [MILLIMETERS]

ALTERNATE MATERIAL	PART NUMBER
.125 (3003) ALUMINUM ASTM B209	D121E
10 GA. (304) STAINLESS STEEL ASTM A240	D122E

PART NAME 2-1/2" O.D. X .120W TUBE TYPE "E" DRIVE-ON DISK				
MATERIAL 10 GA. HRP&O STEEL ASTM A569				
DATE 6/13/96	 THE WAGNER COMPANIES R & B WAGNER, INC. AND J. G. BRAUN CO.			
DRAWN BY RJF				
FINISH MILL		SIZE A	WEIGHT .27 LBS	PART NUMBER D120E
			REV	