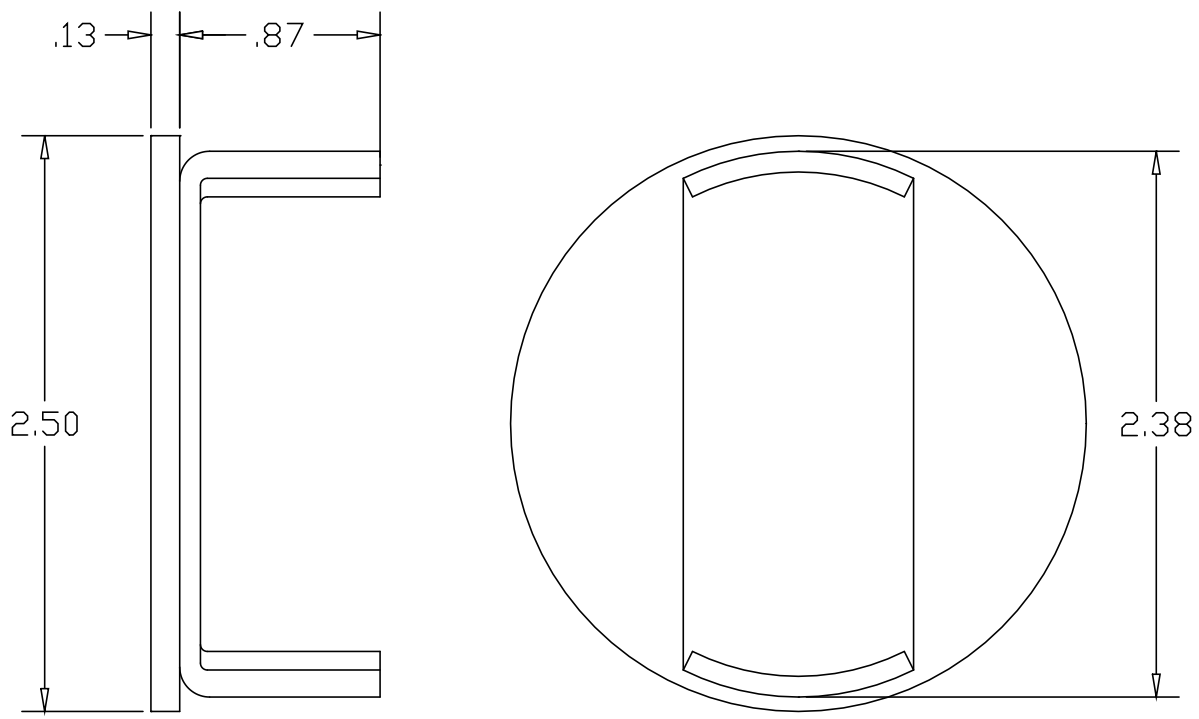



DWG NO D120E.5

REV

SH

REVISIONS			
REV	DESCRIPTION	DATE	APPROVED



PART NAME		2-1/2" O.D. X .065W TUBE TYPE "E" DRIVE-ON DISK					
MATERIAL		10 GA. HRP&O STEEL ASTM A569					
DATE	6/13/96	 THE WAGNER COMPANIES R & B WAGNER, INC. AND J. G. BRAUN CO.					
DRAWN BY	RJF						
FINISH	MILL						
SIZE	A	WEIGHT	.27 LBS	PART NUMBER	D120E.5	REV	