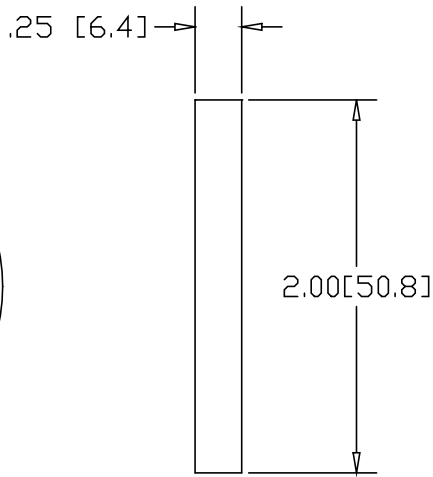
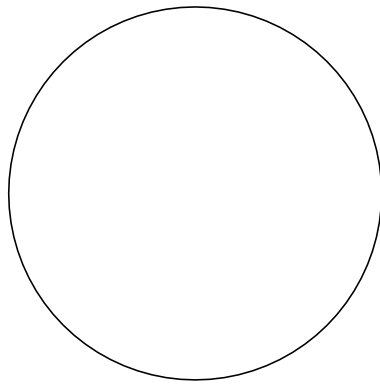
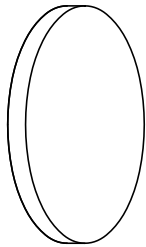



REV  
SH  
DWG NO D098

| REVISIONS |             |      |          |
|-----------|-------------|------|----------|
| REV       | DESCRIPTION | DATE | APPROVED |



INCHES [MILLIMETERS]

| ALTERNATE MATERIAL                   | PART NUMBER |
|--------------------------------------|-------------|
| .250 (3003) ALUMINUM ASTM B209       | D099        |
| .250 (304) STAINLESS STEEL ASTM A240 | D100        |
| .250 (260) BRASS ASTM B19,B36        | D101        |

|           |          |   |     |
|-----------|----------|---|-----|
| PART NAME |          | 2.00" OD TUBE SIZE TYPE-D WELD-ON DISK  |     |
| MATERIAL  |          | .250 HRP&D STEEL ASTM A569  |     |
| DATE      | 10/11/96 |  <b>THE WAGNER COMPANIES</b><br>R & B WAGNER, INC. AND J. G. BRAUN CO. |     |
| DRAWN BY  | RJF      |   |     |
| FINISH    | MILL     |   |     |
| SIZE      | WEIGHT   | PART NUMBER   | REV |
| A         | .23 LBS  | D098  |     |