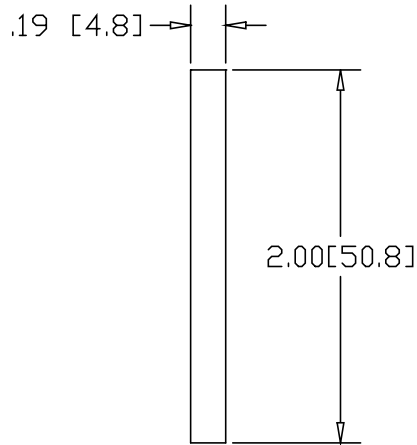
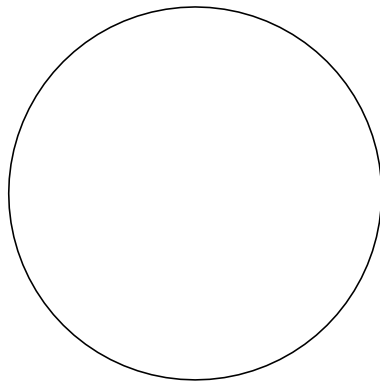
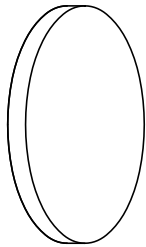



REV  
SH  
DWG NO  
D094

REVISIONS			
REV	DESCRIPTION	DATE	APPROVED



INCHES [MILLIMETERS]

ALTERNATE MATERIAL	PART NUMBER
.190 (3003) ALUMINUM ASTM B209	D095
7 GA 304 STAINLESS STEEL ASTM A240	D096
.188 (260) BRASS ASTM B19,B36	D097

PART NAME				2.00" OD TUBE SIZE TYPE-D WELD-ON DISK			
MATERIAL				7 GA. HRP&D STEEL ASTM A569			
DATE		10/11/96		 <b>THE WAGNER COMPANIES</b> R & B WAGNER, INC. AND J. G. BRAUN CO.			
DRAWN BY		RJF					
FINISH		MILL					
SIZE	WEIGHT	PART NUMBER	REV				
A	.17 LBS	D094					